

steel chains

812/815



pag. 8

802



pag. 8

8157



pag. 9

512



pag. 9

881 M



pag. 10

881 TAB



pag. 10

881 B



pag. 10

8811 TAB



pag. 11

8811 B



pag. 11

8857 M



pag. 11

812 GT



pag. 12

802 GT

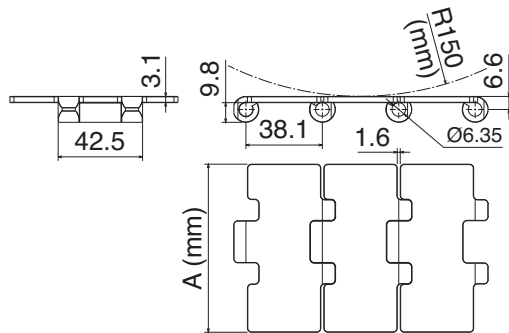


pag. 12



812/815

catena rettilinea / straight running chain / geradegängige Scharnierbandkette



Part	Article-Nr.	Ref.	A	Weight kg/m	Max working load
1001	10010202	SS 812 K325	82,5	2,55	5500 N
1001	10010203	SS 812 K330	83,8	2,59	
1001	10010204	SS 812 K350	88,9	2,69	
1001	10010205	SS 812 K450	114,3	3,25	
1001	10010206	SS 812 K600	152,4	4,15	
1001	10010207	SS 812 K750	190,5	5,05	

1001	10010102	SSE 815 K325	82,5	2,55	6000 N
1001	10010103	SSE 815 K330	83,8	2,59	
1001	10010104	SSE 815 K350	88,9	2,69	
1001	10010105	SSE 815 K450	114,3	3,25	
1001	10010106	SSE 815 K600	152,4	4,15	
1001	10010107	SSE 815 K750	190,5	5,05	

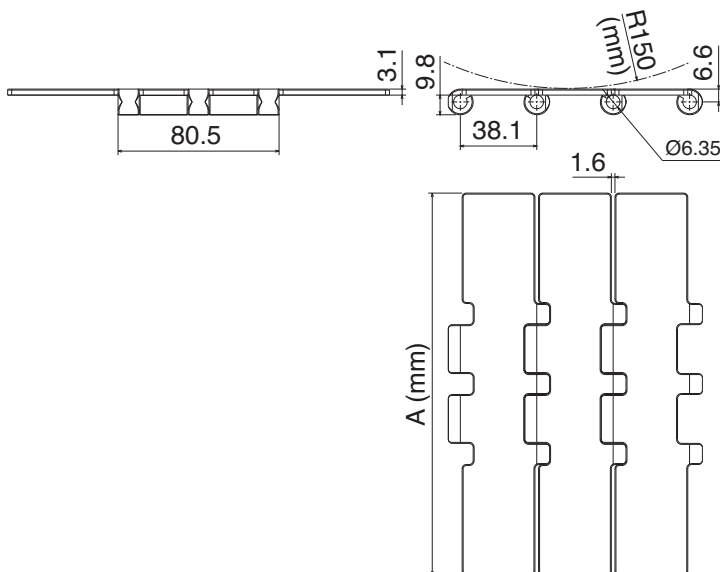
1001	10010302	SSM 815 K325	82,5	2,55	6000 N
1001	10010303	SSM 815 K330	83,8	2,59	

Material	
01	SSE Specially treated Ferritic Stainless Steel (1.4589)
02	SS Ferritic Stainless Steel (1.4016)
03	SSM Max Speed
Pins: Austenitic Steel	



802

catena rettilinea / straight running chain / geradegängige Scharnierbandkette



Part	Article-Nr.	Ref.	A	Weight kg/m	Max working load
1003	10030207	SS 802 K750	190,5	5,80	7000 N

1003	10030107	SSE 805 K750	190,5	5,80	9000 N
------	----------	--------------	-------	------	--------

Material	
01	SSE Specially treated Ferritic Stainless Steel (1.4589)
02	SS Ferritic Stainless Steel (1.4016)
Pins: Austenitic Steel	



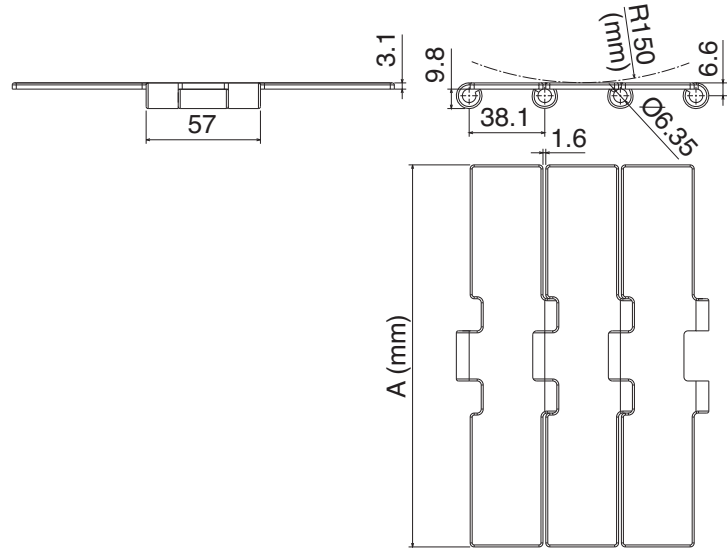
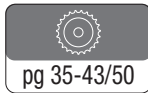
8157

catena rettilinea / straight running chain / geradegängige Scharnierbandkette



Part	Article-Nr.	Ref.	A	Weight kg/m	Max working load
1005	10050107	SSE 8157 K750	190,5	5,60	7000 N

Material	
01	SSE Specially treated Ferritic Stainless Steel (1.4589)
Pins: Austenitic Steel	



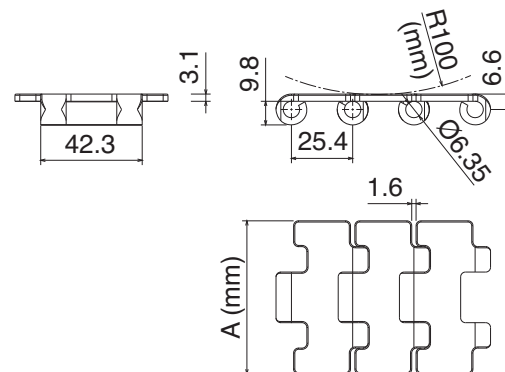
512

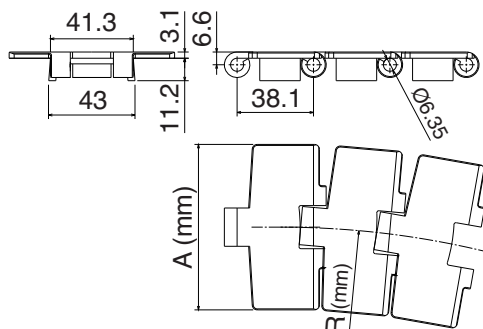
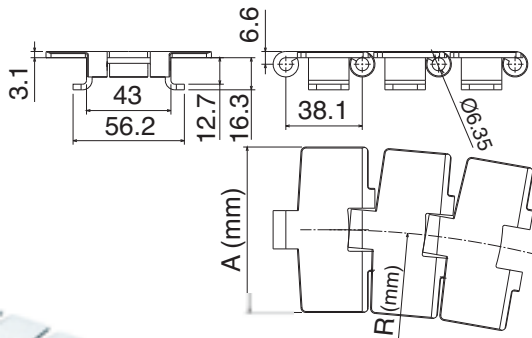
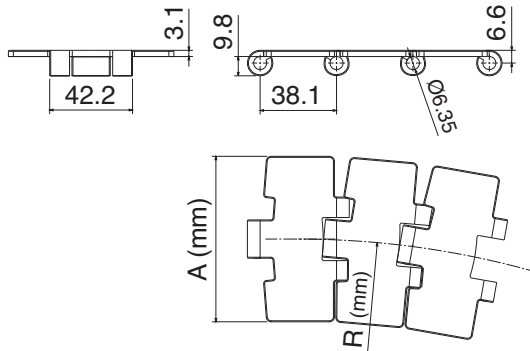
catena rettilinea / straight running chain / geradegängige Scharnierbandkette



Part	Article-Nr.	Ref.	A	Weight kg/m	Max working load
1007	10070100	SSE 512 K217	55,0	2,30	5000 N
1007	10070101	SSE 512 K236	60,0	2,40	
1007	10070108	SSE 512 K250	63,5	2,45	
1007	10070109	SSE 512 K283	72,0	2,65	

Material	
01	SSE Specially treated Ferritic Stainless Steel (1.4589)
Pins: Austenitic Steel	





881 M

catena curvilinea / Sideflexing chain / kurvengängige Scharnierbandkette

Part	Article-Nr.	Ref.	A	R	Weight kg/m	Max working load
1008	10080202	SS 881 MO K325	82,5	500	2,55	4000 N
1008	10080203	SS 881 MO K330	83,8	500	2,59	
1008	10080205	SS 881 MO K450	114,3	500	3,10	
1008	10080207	SS 881MO K750	190,5	500	4,85	

1008	10080102	SSE 881 MO K325	82,5	500	2,55	6000 N
1008	10080103	SSE 881 MO K330	83,8	500	2,59	
1008	10080105	SSE 881 MO K450	114,3	500	3,10	
1008	10080107	SSE 881 MO K750	190,5	500	4,85	

1008	10080302	SSM 881 MO K325	82,5	500	2,55	6000 N
1008	10080303	SSM 881 MO K330	83,8	500	2,59	

Material	
01	SSE Specially treated Ferritic Stainless Steel (1.4589)
02	SS Ferritic Stainless Steel (1.4016)
03	SSM Max speed

Pins: Ferritic Stainless Steel

Magnetic System



881 TAB

catena curvilinea / Sideflexing chain / kurvengängige Scharnierbandkette

Part	Article-Nr.	Ref.	A	R	Weight kg/m	Max working load
1010	10100202	SS 881 TAB K325	82,5	457	3,00	4000 N

1010	10100102	SSE 881 TAB K325	82,5	457	3,00	6000 N
1010	10100105	SSE 881 TAB K450	114,3	500	3,69	
1010	10100107	SSE 881 TAB K750	190,5	500	5,50	

Material	
01	SSE Specially treated Ferritic Stainless Steel (1.4589)
02	SS Ferritic Stainless Steel (1.4016)

Pins: Austenitic Steel

Tab System



881 B

catena curvilinea / Sideflexing chain / kurvengängige Scharnierbandkette

Part	Article-Nr.	Ref.	A	R	Weight kg/m	Max working load
1012	10120102	SSE 881 K325	82,5	457	2,95	6000 N
1012	10120105	SSE 881 K450	114,3	500	3,65	
1012	10120107	SSE 881 K750	190,5	500	5,45	

Material	
01	SSE Specially treated Ferritic Stainless Steel (1.4589)

Pins: Austenitic Steel

Bevel System



8811 TAB

catena curvilinea / Sideflexing chain / kurvengängige Scharnierbandkette

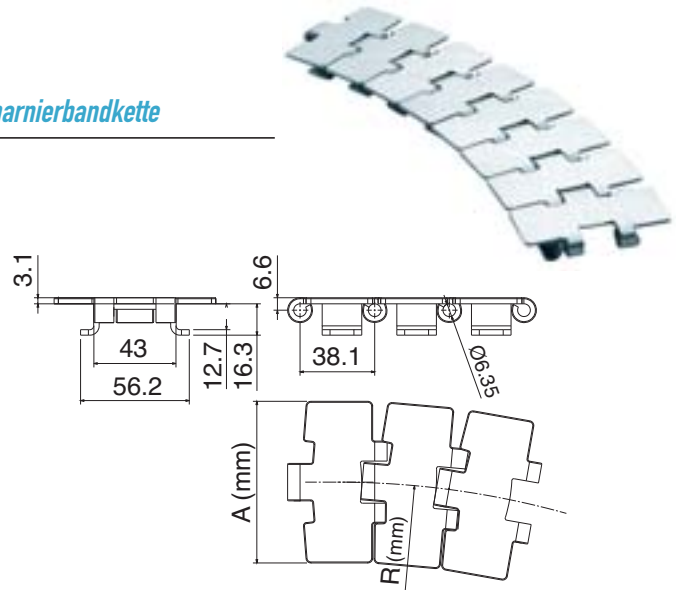
Part	Article-Nr.	Ref.	A	R	Weight kg/m	Max working load
1014	10140202	SS 8811 TAB K325	82,5	500	2,95	4000 N
1014	10140203	SS 8811 TAB K330	83,8	500	3,05	
1014	10140205	SS 8811 TAB K450	114,3	610	3,65	
1014	10140207	SS 8811 TAB K750	190,5	610	5,45	
1014	10140102	SSE 8811 TAB K325	82,5	500	2,95	6000 N
1014	10140103	SSE 8811 TAB K330	83,8	500	3,05	
1014	10140104	SSE 8811 TAB K350	88,9	500	3,15	
1014	10140105	SSE 8811 TAB K450	114,3	610	3,65	
1014	10140107	SSE 8811 TAB K750	190,5	610	5,45	

Material	
01	SSE Specially treated Ferritic Stainless Steel (1.4589)
02	SS Ferritic Stainless Steel (1.4016)

Pins: Austenitic Steel



Tab System



8811 B

catena curvilinea / Sideflexing chain / kurvengängige Scharnierbandkette

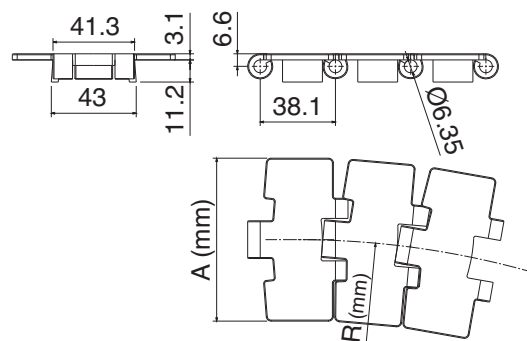
Part	Article-Nr.	Ref.	A	R	Weight kg/m	Max working load
1016	10160102	SSE 8811 K325	82,5	500	2,90	6000 N
1016	10160104	SSE 8811 K350	88,9	500	3,15	
1016	10160105	SSE 8811 K450	114,3	610	3,60	
1016	10160107	SSE 8811 K750	190,5	610	5,40	

Material	
01	SSE Specially treated Ferritic Stainless Steel (1.4589)

Pins: Austenitic Steel



Bevel System



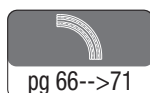
8857 M

catena curvilinea / Sideflexing chain / kurvengängige Scharnierbandkette

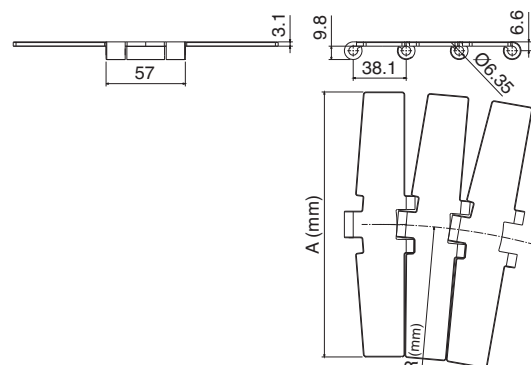
Part	Article-Nr.	Ref.	A	R	Weight kg/m	Max working load
1018	10180107	SSE 8857 M K750	190,5	750	5,30	7000 N

Material	
01	SSE Specially treated Ferritic Stainless Steel (1.4589)

Pins: Ferritic Stainless Steel



Magnetic System



812 GT - 802 GT

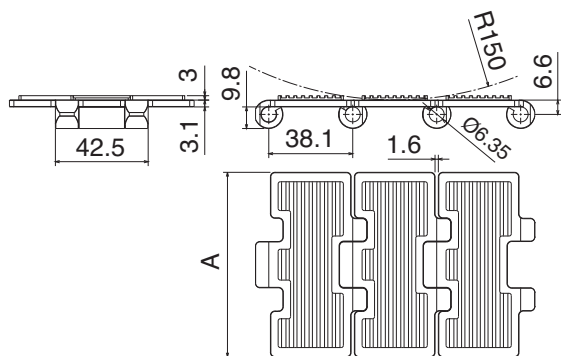


New

812 GT

catena rettilinea / straight running chain / geradegängige Scharnierbandkette

Part	Article-Nr.	Ref.	A	Weight kg/m	Max working load
1002	10020202	SS 812 GT K325	82,5	2,80	5500 N



Material	
02	SS Ferritic Stainless Steel (1.4016)
Pins: Ferritic Stainless Steel	

10 feet
3.048 m

80 links

pg 30/31-43/48

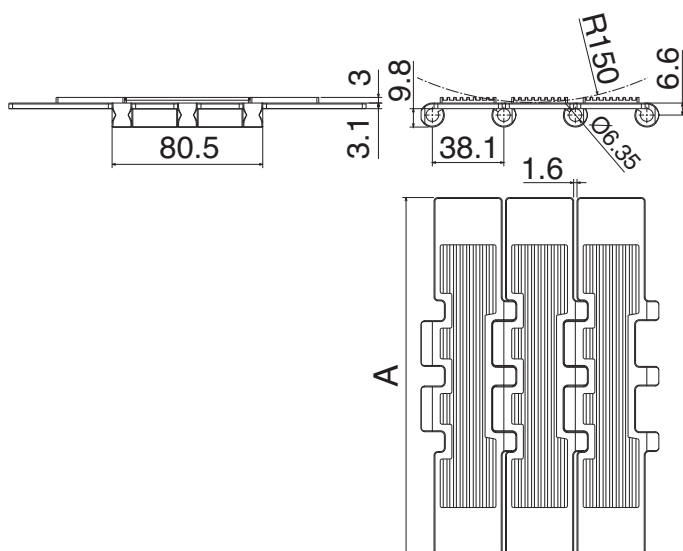


New

802 GT

catena rettilinea / straight running chain / geradegängige Scharnierbandkette

Part	Article-Nr.	Ref.	A	Weight kg/m	Max working load
1004	10040207	SS 802 GT K750	190,5	6,20	7000 N



Material	
02	SS Ferritic Stainless Steel (1.4016)
Pins: Ferritic Stainless Steel	

10 feet
3.048 m

80 links

pg 44/49