


























plastic chains

<p>820</p>  <p>pag. 14</p>	<p>828</p>  <p>pag. 14</p>	<p>831</p>  <p>pag. 15</p>	<p>821</p>  <p>pag. 15</p>	<p>821 GT</p>  <p>pag. 16</p>	<p>821 LBP</p>  <p>pag. 16</p>
<p>8257</p>  <p>pag. 17</p>	<p>8257 GT</p>  <p>pag. 17</p>	<p>8257 LBP</p>  <p>pag. 18</p>	<p>878 TAB</p>  <p>pag. 18</p>	<p>879 M</p>  <p>pag. 19</p>	<p>879 TAB</p>  <p>pag. 19</p>
<p>880 M</p>  <p>pag. 20</p>	<p>880 TAB</p>  <p>pag. 20</p>	<p>880 B</p>  <p>pag. 21</p>	<p>882 M</p>  <p>pag. 21</p>	<p>882 M GT</p>  <p>pag. 22</p>	
	<p>882 M LBP</p>  <p>pag. 22</p>	<p>882 TAB</p>  <p>pag. 23</p>	<p>882 TAB GT</p>  <p>pag. 23</p>	<p>882 TAB LBP</p>  <p>pag. 24</p>	
		<p>1873 GRIPPER</p>  <p>pag. 25</p>	<p>1873 GRIPPER</p>  <p>pag. 25</p>	<p>CC 600</p>  <p>pag. 26</p>	
				<p>CC 600 TAB</p>  <p>pag. 26</p>	

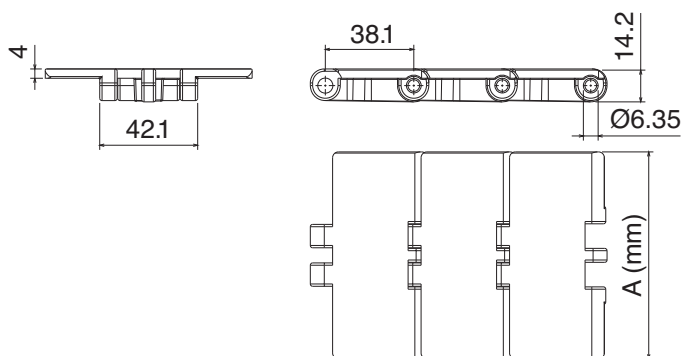




820

catena rettilinea / straight running chain / geradegängige Scharnierbandkette

Part	Article-Nr.	Ref.	A	Weight Kg/m
1101	11010102	820 K325	82,5	0,89
1101	11010103	820 K330	83,8	0,90
1101	11010104	820 K350	88,9	0,91
1101	11010114	820 K400	101,6	0,95
1101	11010105	820 K450	114,3	1,00
1101	11010106	820 K600	152,4	1,22
1101	11010107	820 K750	190,5	1,43



	Material	Breaking load
01	LF Low Friction Acetal Resin	5000 N
03	MX Extra Performance material (PBT with additives)	4000 N
08	MK Super Low Friction Acetal Resin	4800 N

Pins: Stainless Steel

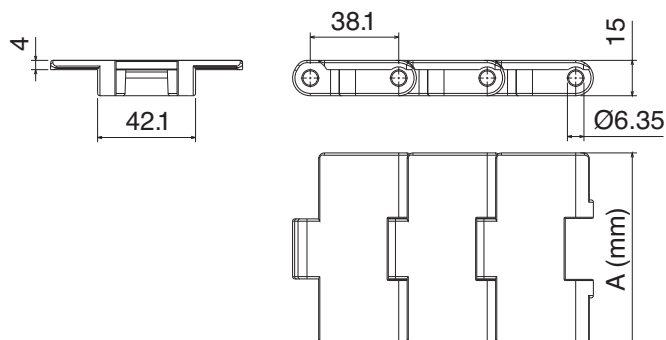
Available in different materials on request



828

catena rettilinea / straight running chain / geradegängige Scharnierbandkette

Part	Article-Nr.	Ref.	A	Weight Kg/m
1102	11020102	828 K325	82,5	1,07
1102	11020103	828 K330	83,8	1,13



	Material	Breaking load
01	LF Low Friction Acetal Resin	6000 N
03	MX Extra Performance material (PBT with additives)	5000 N
08	MK Super Low Friction Acetal Resin	5700 N

Pins: Stainless Steel

Available in different materials on request



831

catena rettilinea / straight running chain / geradegängige Scharnierbandkette

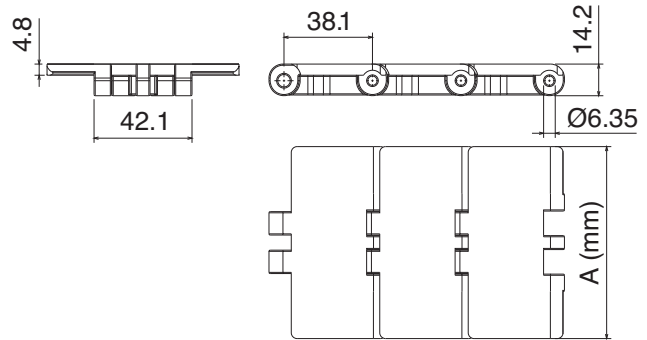
Part	Article-Nr.	Ref.	A	Weight Kg/m
1103	11030102	831 K325	82,5	1,00
1103	11030105	831 K450	114,3	1,28
1103	11030107	831 K750	190,5	1,80



	Material	Breaking load
01	LF Low Friction Acetal Resin	5000 N
03	MX Extra Performance material (PBT with additives)	4000 N
08	MK Super Low Friction Acetal Resin	4800 N

Pins: Stainless Steel

Available in different materials on request



821

catena rettilinea / straight running chain / geradegängige Scharnierbandkette

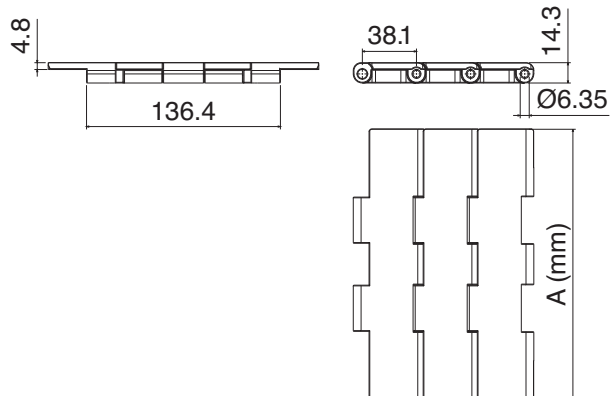
Part	Article-Nr.	Ref.	A	Weight Kg/m
1104	11040107	821 K750	190,5	2,55
1104	11040108	821 K1000	254,0	3,05
1104	11040109	821 K1200	304,8	3,35

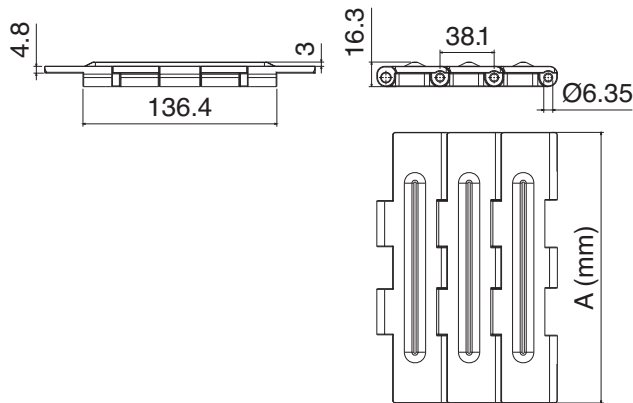


	Material	Breaking load
01	LF Low Friction Acetal Resin	8000 N
03	MX Extra Performance material (PBT with additives)	7500 N
08	MK Super Low Friction Acetal Resin	7900 N

Pins: Stainless Steel

Available in different materials on request





821 GT

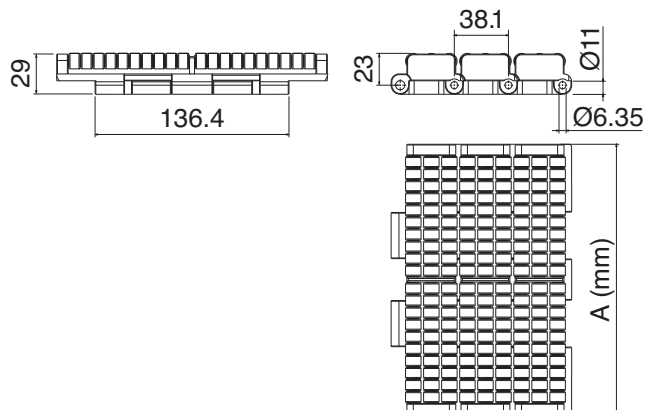
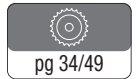
catena rettilinea / straight running chain / geradegängige Scharnierbandkette

Part	Article-Nr.	Ref.	A	Weight Kg/m
1105	11050107	821 GT K750	190,5	2,25
1105	11050108	821 GT K1000	254,0	3,20
1105	11050109	821 GT K1200	304,8	3,70

	Material	Breaking load
01	LF Low Friction Acetal Resin	8000 N
03	MX Extra Performance material (PBT with additives)	7500 N

Rubber: Hardness 75ShA
TPR Thermoplastic rubber
Pins: Stainless Steel

Available in different materials on request



821 LBP

catena rettilinea / straight running chain / geradegängige Scharnierbandkette

Part	Article-Nr.	Ref.	A	Weight Kg/m
1106	11060107	821 LBP K750	190,5	5,70
1106	11060108	821 LBP K1000	254,0	7,05
1106	11060109	821 LBP K1200	304,8	8,21

	Material	Breaking load
01	LFA Low Friction Acetal Resin	8000 N

Roller
■ Noise reducing Acetal Resin
Pins: Stainless Steel

Available in different materials on request



8257

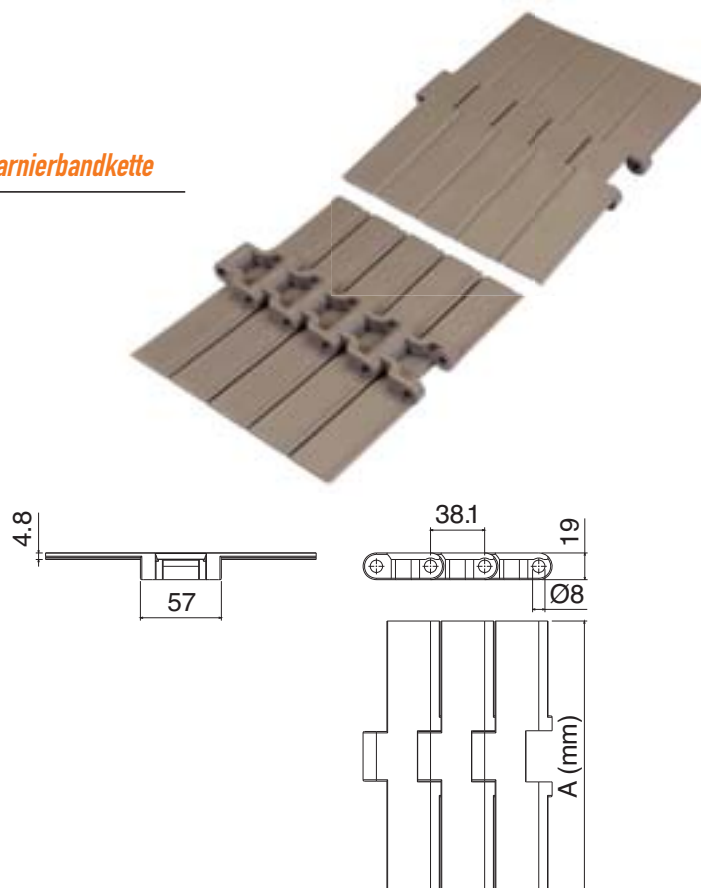
catena rettilinea / straight running chain / geradegängige Scharnierbandkette

Part	Article-Nr.	Ref.	A	Weight Kg/m
1107	11070107	8257 K750	190,5	2,20
1107	11070108	8257 K1000	254,0	2,50
1107	11070109	8257 K1200	304,8	2,85

	Material	Breaking load
01	LF Low Friction Acetal Resin	10000 N
03	MX Extra Performance material (PBT with additives)	9000 N
08	MK Super Low Friction Acetal Resin	9700 N

Pins: Stainless Steel

Available in different materials on request



8257 GT

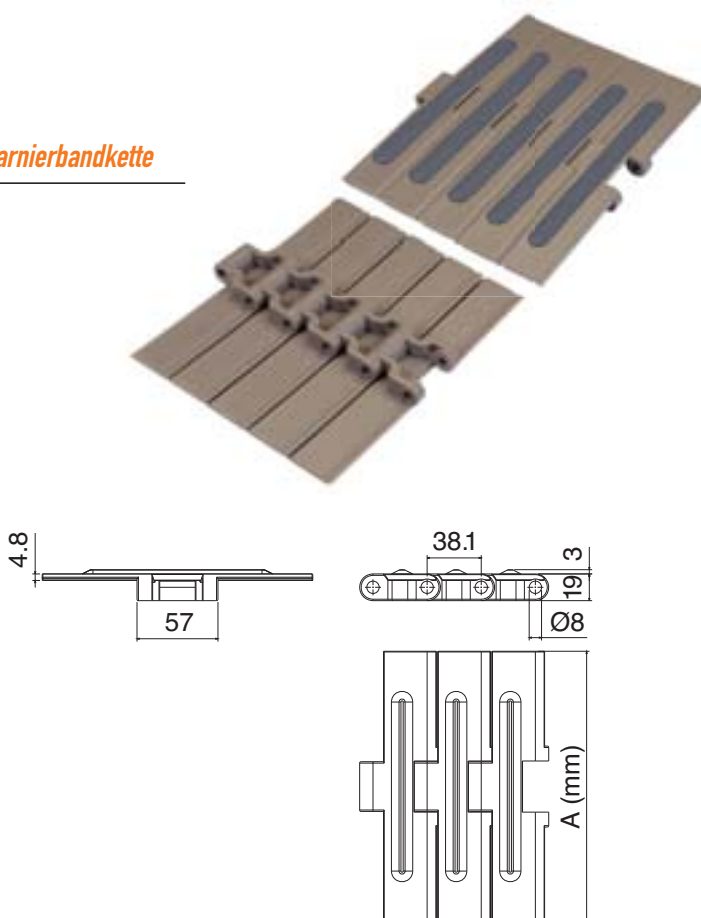
catena rettilinea / straight running chain / geradegängige Scharnierbandkette

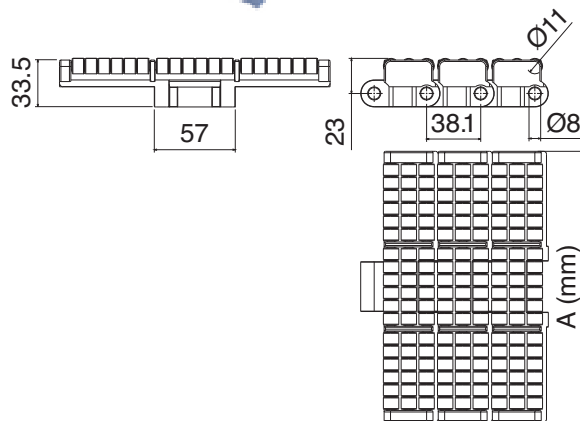
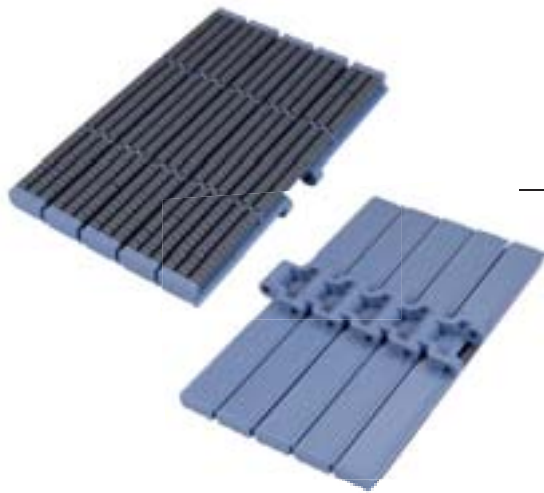
Part	Article-Nr.	Ref.	A	Weight Kg/m
1108	11080107	8257 GT K750	190,5	2,25
1108	11080108	8257 GT K1000	254,0	2,60
1108	11080109	8257 GT K1200	304,8	2,95

	Material	Breaking load
01	LF Low Friction Acetal Resin	10000 N
03	MX Extra Performance material (PBT with additives)	9000 N

Rubber: Hardness 75ShA
TPR Thermoplastic rubber
Pins: Stainless Steel

Available in different materials on request





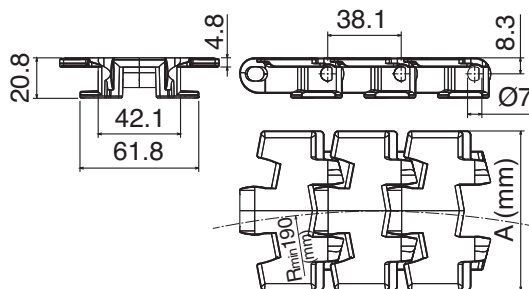
8257 LBP

catena rettilinea / straight running chain / geradegängige Scharnierbandkette

Part	Article-Nr.	Ref.	A	Weight Kg/m
1109	11090107	8257 LBP K750	190,5	5,65
1109	11090108	8257 LBP K1000	254,0	7,15
1109	11090109	8257 LBP K1200	304,8	8,05

	Material	Breaking load
01	LFA Low Friction Acetal Resin	10000 N
	Roller	
	Noise reducing Acetal Resin	
	Pins: Stainless Steel	

Available in different materials on request



878 TAB

catena curvilinea / Sideflexing chain / kurvengängige Scharnierbandkette

Part	Article-Nr.	Ref.	A	Weight Kg/m
1119	11190102	878 TAB K325	82,5	1,06
1119	11190105	878 TAB K450	114,3	1,18

	Material	Breaking load
01	LF Low Friction Acetal Resin	6000 N
03	MX Extra Performance material (PBT with additives)	5000 N
08	MK Super Low Friction Acetal Resin	5700 N
	Pins: Stainless Steel	

Available in different materials on request



879 M

catena curvilinea / Sideflexing chain / kurvengängige Scharnierbandkette

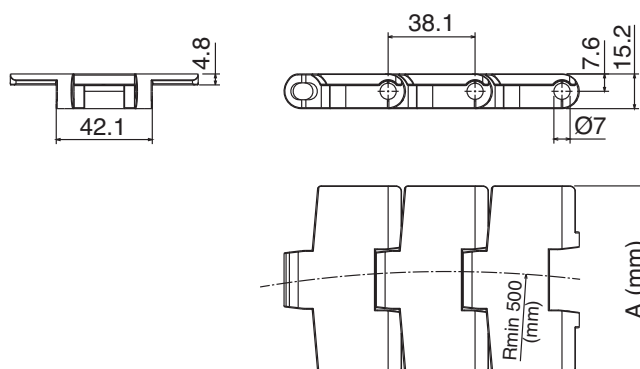
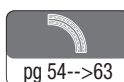


Part	Article-Nr.	Ref.	A	Weight Kg/m
1124	11240102	879 M K325	82,5	1,05
1124	11240105	879 M K450	114,3	1,15

	Material	Breaking load
01	LF Low Friction Acetal Resin	6000 N
03	MX Extra Performance material (PBT with additives)	5000 N
08	MK Super Low Friction Acetal Resin	5700 N

Pins: Ferritic Stainless Steel

Available in different materials on request



Magnetic System

879 TAB

catena curvilinea / Sideflexing chain / kurvengängige Scharnierbandkette

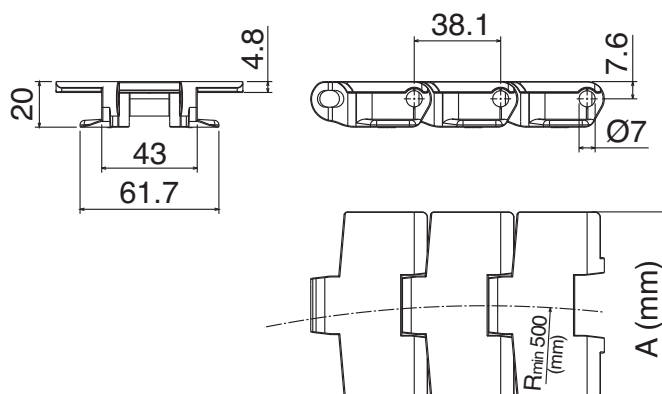


Part	Article-Nr.	Ref.	A	Weight Kg/m
1125	11250102	879 TAB K325	82,5	1,01
1125	11250105	879 TAB K450	114,3	1,13

	Material	Breaking load
01	LF Low Friction Acetal Resin	6000 N
03	MX Extra Performance material (PBT with additives)	5000 N
08	MK Super Low Friction Acetal Resin	5700 N

Pins: Stainless Steel

Available in different materials on request



Tab System



880 M

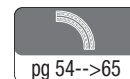
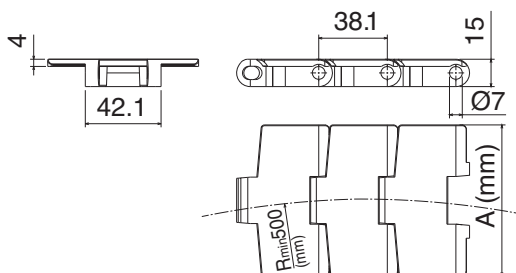
catena curvilinea / Sideflexing chain / kurvengängige Scharnierbandkette

Part	Article-Nr.	Ref.	A	Weight Kg/m
1110	11100102	880 M K325	82,5	1,05
1110	11100103	880 M K330	83,8	1,09
1110	11100105	880 M K450	114,3	1,15

	Material	Breaking load
01	LF Low Friction Acetal Resin	6000 N
03	MX Extra Performance material (PBT with additives)	5000 N
08	MK Super Low Friction Acetal Resin	5700 N

Pins: Ferritic Stainless Steel

Available in different materials on request



Magnetic System



880 TAB

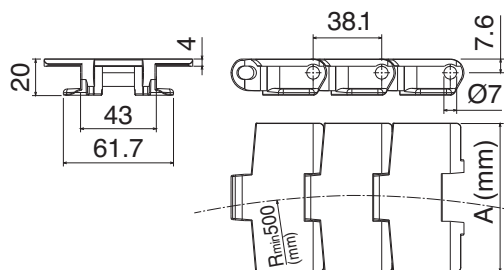
catena curvilinea / Sideflexing chain / kurvengängige Scharnierbandkette

Part	Article-Nr.	Ref.	A	Weight Kg/m
1111	11110102	880 TAB K325	82,5	1,015
1111	11110103	880 TAB K330	83,8	1,018
1111	11110105	880 TAB K450	114,3	1,09

	Material	Breaking load
01	LF Low Friction Acetal Resin	6000 N
03	MX Extra Performance material (PBT with additives)	5000 N
08	MK Super Low Friction Acetal Resin	5700 N

Pins: Stainless Steel

Available in different materials on request



Tab System

880 B

catena curvilinea / Sideflexing chain / kurvengängige Scharnierbandkette

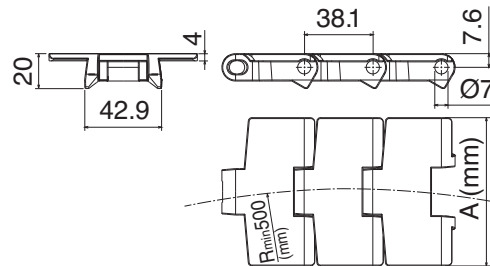
Part	Article-Nr.	Ref.	A	Weight Kg/m
1112	11120102	880 B K325	82,5	0,89
1112	11120103	880 B K330	83,8	0,91
1112	11120105	880 B K450	114,3	1,05



	Material	Breaking load
01	LF Low Friction Acetal Resin	6000 N
03	MX Extra Performance material (PBT with additives)	5000 N
08	MK Super Low Friction Acetal Resin	5700 N

Pins: Stainless Steel

Available in different materials on request



Bevel System

882 M

catena curvilinea / Sideflexing chain / kurvengängige Scharnierbandkette

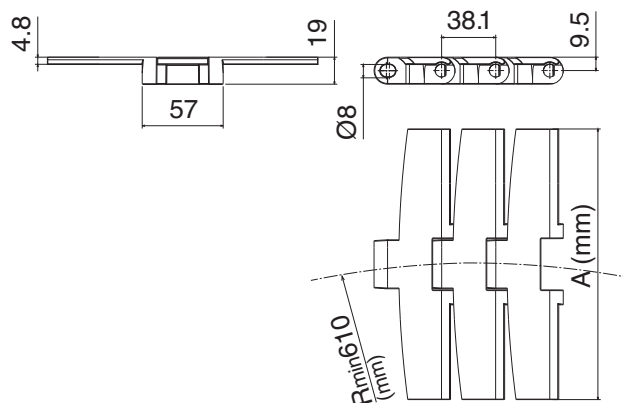
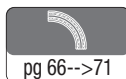
Part	Article-Nr.	Ref.	A	Weight Kg/m
1113	11130107	882 M K750	190,5	2,14
1113	11130108	882 M K1000	254,0	2,45
1113	11130109	882 M K1200	304,8	2,68



	Material	Breaking load
01	LF Low Friction Acetal Resin	10000 N
03	MX Extra Performance material (PBT with additives)	9000 N
08	MK Super Low Friction Acetal Resin	9500 N

Pins: Ferritic Stainless Steel

Available in different materials on request



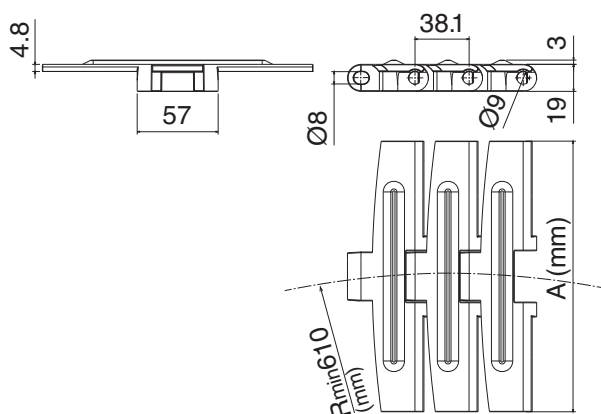
Magnetic System



882 M GT

catena curvilinea / Sideflexing chain / kurvengängige Scharnierbandkette

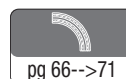
Part	Article-Nr.	Ref.	A	Weight Kg/m
1115	11150107	882 M GT K750	190,5	2,10
1115	11150108	882 M GT K1000	254,0	2,45
1115	11150109	882 M GT K1200	304,8	2,74



	Material	Breaking load
01	LF Low Friction Acetal Resin	10000 N
03	MX Extra Performance material (PBT with additives)	9000 N

Rubber: Hardness 75ShA
TPR: Thermoplastic rubber
Pins: Ferritic Stainless Steel

Available in different materials on request



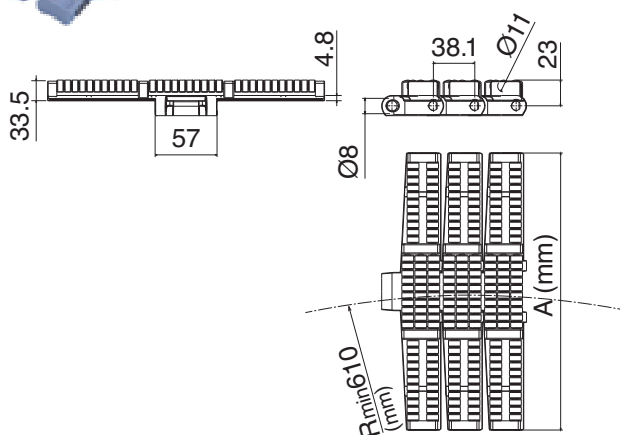
Magnetic System



882 M LBP

catena curvilinea / Sideflexing chain / kurvengängige Scharnierbandkette

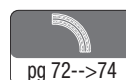
Part	Article-Nr.	Ref.	A	Weight Kg/m
1117	11170107	882 M LBP K750	190,5	3,92
1117	11170108	882 M LBP K1000	254,0	4,94
1117	11170109	882 M LBP K1200	304,8	5,82



	Material	Breaking load
01	LFA Low Friction Acetal Resin	10000 N

Roller: Noise reducing Acetal Resin
Pins: Ferritic Stainless Steel

Available in different materials on request



Magnetic System

882 TAB

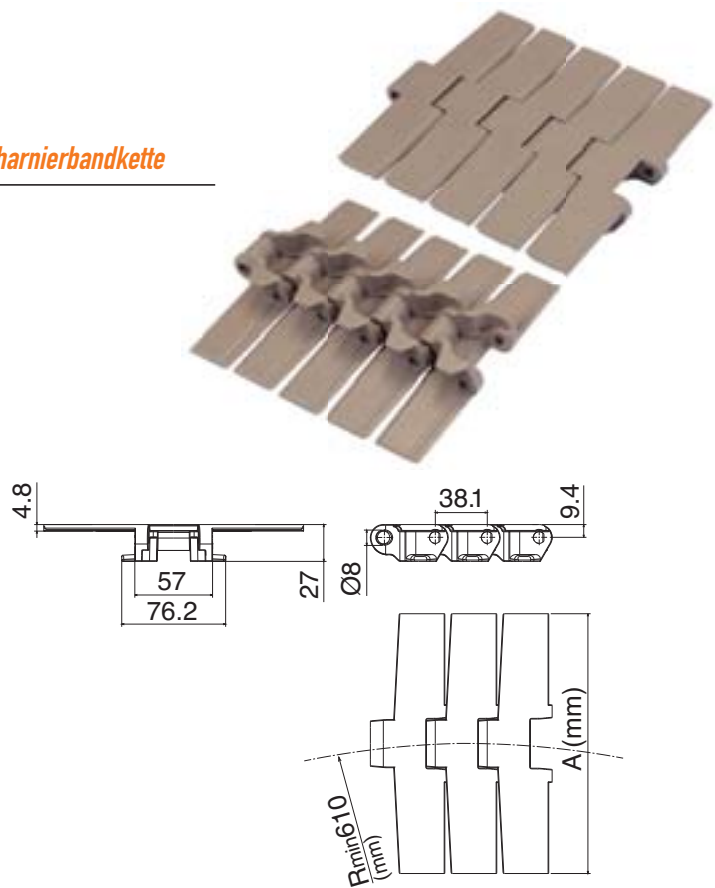
catena curvilinea / Sideflexing chain / kurvengängige Scharnierbandkette

Part	Article-Nr.	Ref.	A	Weight Kg/m
1114	11140105	882 TAB K450	114,3	2,05
1114	11140107	882 TAB K750	190,5	2,45
1114	11140108	882 TAB K1000	254,0	2,85
1114	11140109	882 TAB K1200	304,8	3,40

	Material	Breaking load
01	LF Low Friction Acetal Resin	10000 N
03	MX Extra Performance material (PBT with additives)	9000 N
08	MK Super Low Friction Acetal Resin	9500 N

Pins: Stainless Steel

Available in different materials on request



Tab System

882 TAB GT

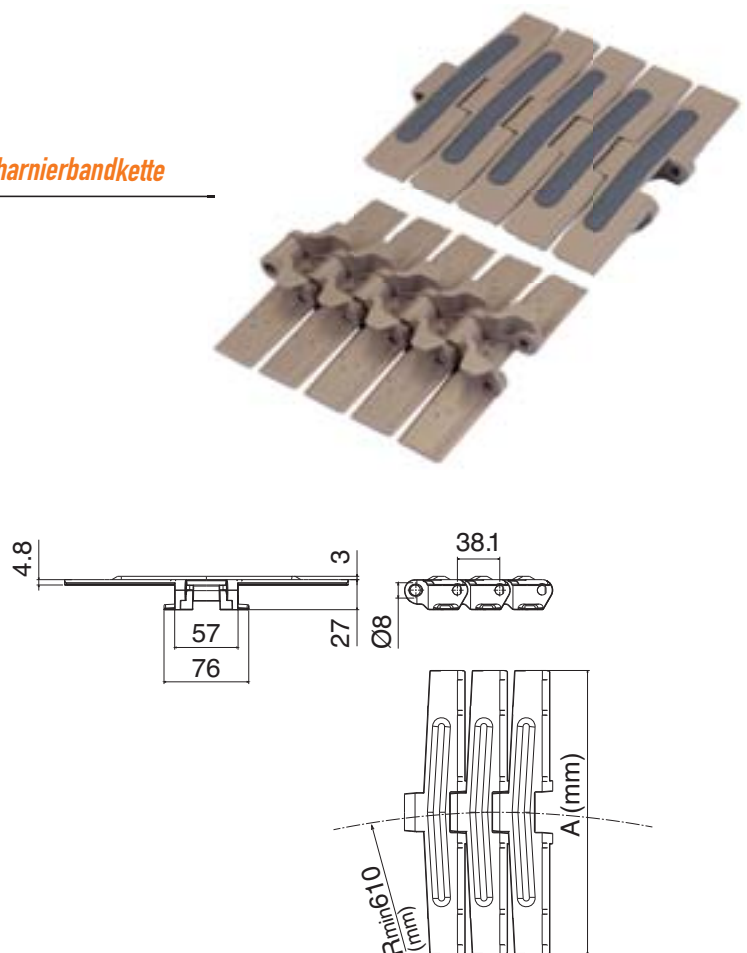
catena curvilinea / Sideflexing chain / kurvengängige Scharnierbandkette

Part	Article-Nr.	Ref.	A	Weight Kg/m
1116	11160107	882 TAB GT K750	190,5	2,37
1116	11160108	882 TAB GT K1000	254,0	2,67
1116	11160109	882 TAB GT K1200	304,8	2,92

	Material	Breaking load
01	LF Low Friction Acetal Resin	10000 N
03	MX Extra Performance material (PBT with additives)	9000 N

Rubber: Hardness 75ShA
TPR Thermoplastic rubber
Pins: Stainless Steel

Available in different materials on request



Tab System



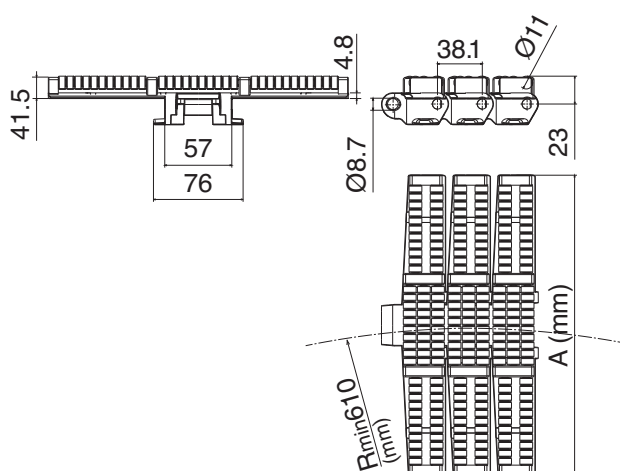
882 TAB LBP

catena curvilinea / Sideflexing chain / kurvengängige Scharnierbandkette

Part	Article-Nr.	Ref.	A	Weight Kg/m
1118	11180107	882 TAB LBP K750	190,5	4,70
1118	11180108	882 TAB LBP K1000	254,0	5,95
1118	11180109	882 TAB LBP K1200	304,8	6,55

	Material	Breaking load
01	LFA Low Friction Acetal Resin	10000 N
	Roller	
	■ Noise reducing Acetal Resin	
	Pins: Stainless Steel	

Available in different materials on request



Tab System

1873 GRIPPER GS1

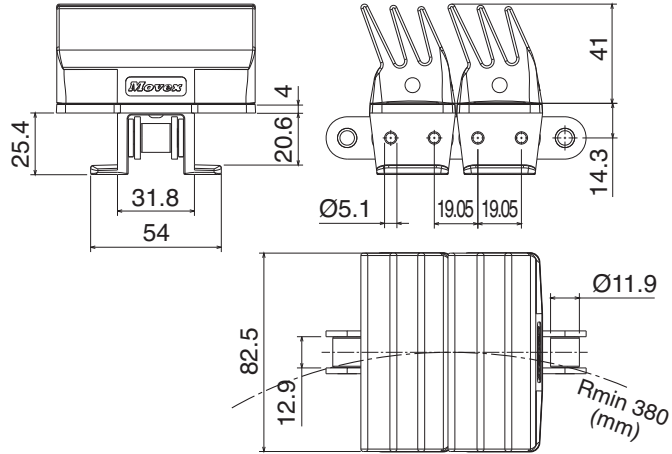
catena curvilinea / Sideflexing chain / kurvengängige Gripperkette

Part	Article-Nr.	Plate	Chain	Rubber	Ref.	Breaking load	Weight Kg/m
1120	11200102	LFD	C45	TPR	1873 TAB K325 GR	27000 N	4,354
1120	11200202	LFD	Nickel Plated Steel	TPR	1873 NP TAB K325 GR	21000 N	
1120	11200302	LFD	Stainless Steel	TPR	1873 SS TAB K325 GR	21000 N	
1121	11210102	PP	C45	EPDM-PP	1873 TAB K325 GR	27000 N	
1121	11210202	PP	Nickel Plated Steel	EPDM-PP	1873 NP TAB K325 GR	21000 N	
1121	11210302	PP	Stainless Steel	EPDM-PP	1873 SS TAB K325 GR	21000 N	



Material	
LFD	Low Friction Acetal Resin
PP	Polypropylene
Rubber:	Hardness 45ShA
TPR	Thermoplastic rubber
EPDM	Synthetic Rubber
Roller chain	C45; Nickel Plated Steel; Stainless Steel AISI304

Available in different materials on request



Tab System

New

1873 GRIPPER GS2

catena curvilinea / Sideflexing chain / kurvengängige Gripperkette

Part	Article-Nr.	Plate	Chain	Rubber	Ref.	Breaking load	Weight Kg/m
1128	11280102	LFD	C45	TPR	1873 TAB K325 GR	27000 N	4,354
1128	11280202	LFD	Nickel Plated Steel	TPR	1873 NP TAB K325 GR	21000 N	
1128	11280302	LFD	Stainless Steel	TPR	1873 SS TAB K325 GR	21000 N	
1129	11290102	PP	C45	EPDM-PP	1873 TAB K325 GR	27000 N	
1129	11290202	PP	Nickel Plated Steel	EPDM-PP	1873 NP TAB K325 GR	21000 N	
1129	11290302	PP	Stainless Steel	EPDM-PP	1873 SS TAB K325 GR	21000 N	



Material	
LFD	Low Friction Acetal Resin
PP	Polypropylene
Rubber:	Hardness 45ShA
TPR	Thermoplastic rubber
EPDM	Synthetic Rubber
Roller chain	C45; Nickel Plated Steel; Stainless Steel AISI304

Available in different materials on request



Tab System

