

leveling pads

Ø40-Ø50-Ø60



pag. 256

Ø80-Ø100



pag. 258

Ø80-Ø100-Ø120



pag. 260

Ø110



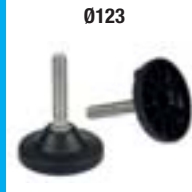
pag. 262

Ø123



pag. 264

Ø123



pag. 266

Ø50-Ø65 -Ø75-Ø100
Ø125-Ø150-Ø180



pag. 268

Ø75-Ø100



pag. 270

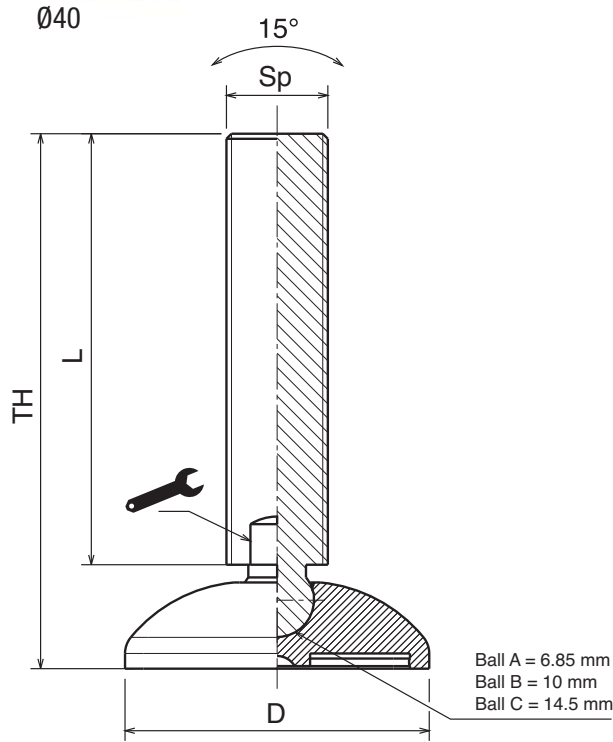
Ø123



pag. 272



Materiale:	Material:	Materialien:
Basi: Poliammide	Base plate: Polyamide	Fussplatte: Polyamid
Stelo: Acciaio inox o Ferro zincato	Spindle: Stainless steel or Zinc plated steel	Spindel: Edelstahl oder Stahl Verzinkt



ACCESSORI / ACCESSORIES / ZUBEHÖR

Gomma anti-scivolo / Anti-slip pad / Gummiplatte



Part	Article-Nr.	For base
996	99601	Ø40
996	99602	Ø50
996	99603	Ø60

Dadi acciaio inox / Stainless steel nuts / Mutter Edelstahl

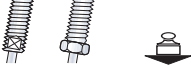


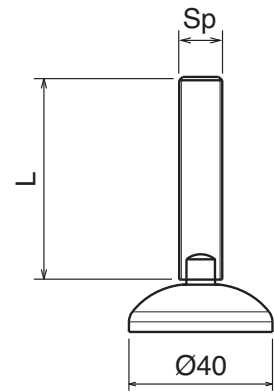
Part	Article-Nr.	Spindle
998	99801	M10
998	99802	M12
998	99804	M16
998	99805	M20

SS: Acciaio inox / Stainless steel / Edelstahl


FeZn: Ferro zincato / Zinc plated steel / Stahl Verzinkt

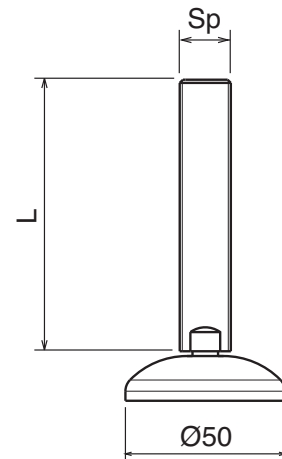
Piede diam. 40 mm / Leveller diam. 40 mm / Gelenkfuss Diam. 40 mm

Part	Sp		Sp	TH	L	Ball			N
	SS	FeZn					⚙️	🍬	
901	90101	90101Z	M10	50	35	A	7	-	10.000
901	90102	90102Z		100	85	A	7	-	
901	90103	90103Z		150	135	A	7	-	
902	90201	90201Z	M12	75	60	B	9	-	12.000
902	90202	90202Z		100	85	B	9	-	
902	90203	90203Z		150	135	B	9	-	
903	90301	90301Z	M16	75	60	B	13	-	15.000
903	90302	90302Z		100	85	B	13	-	
903	90303	90303Z		150	135	B	13	-	
903	90301H	90301ZH		75	60	B	-	16	
903	90302H	90302ZH		100	85	B	-	16	
903	90303H	90303ZH		150	135	B	-	16	

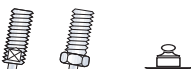


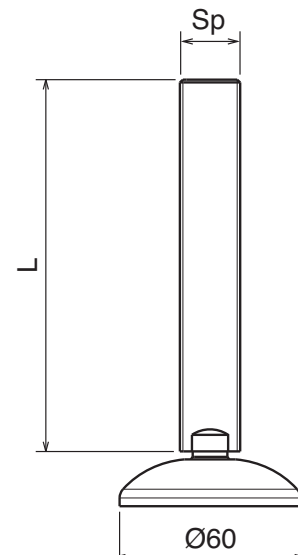
Piede diam. 50 mm / Leveller diam. 50 mm / Gelenkfuss Diam. 50 mm

Part	Sp		Sp	TH	L	Ball			N
	SS	FeZn					⚙️	🍬	
904	90401	90401Z	M10	50	35	A	7	-	10.000
904	90402	90402Z		100	85	A	7	-	
904	90403	90403Z		150	135	A	7	-	
905	90501	90501Z	M12	75	60	B	9	-	12.000
905	90502	90502Z		100	85	B	9	-	
905	90503	90503Z		150	135	B	9	-	
906	90601	90601Z	M16	75	60	B	13	-	15.000
906	90602	90602Z		100	85	B	13	-	
906	90603	90603Z		150	135	B	13	-	
906	90601H	90601ZH		75	60	B	-	16	
906	90602H	90602ZH		100	85	B	-	16	
906	90603H	90603ZH		150	135	B	-	16	

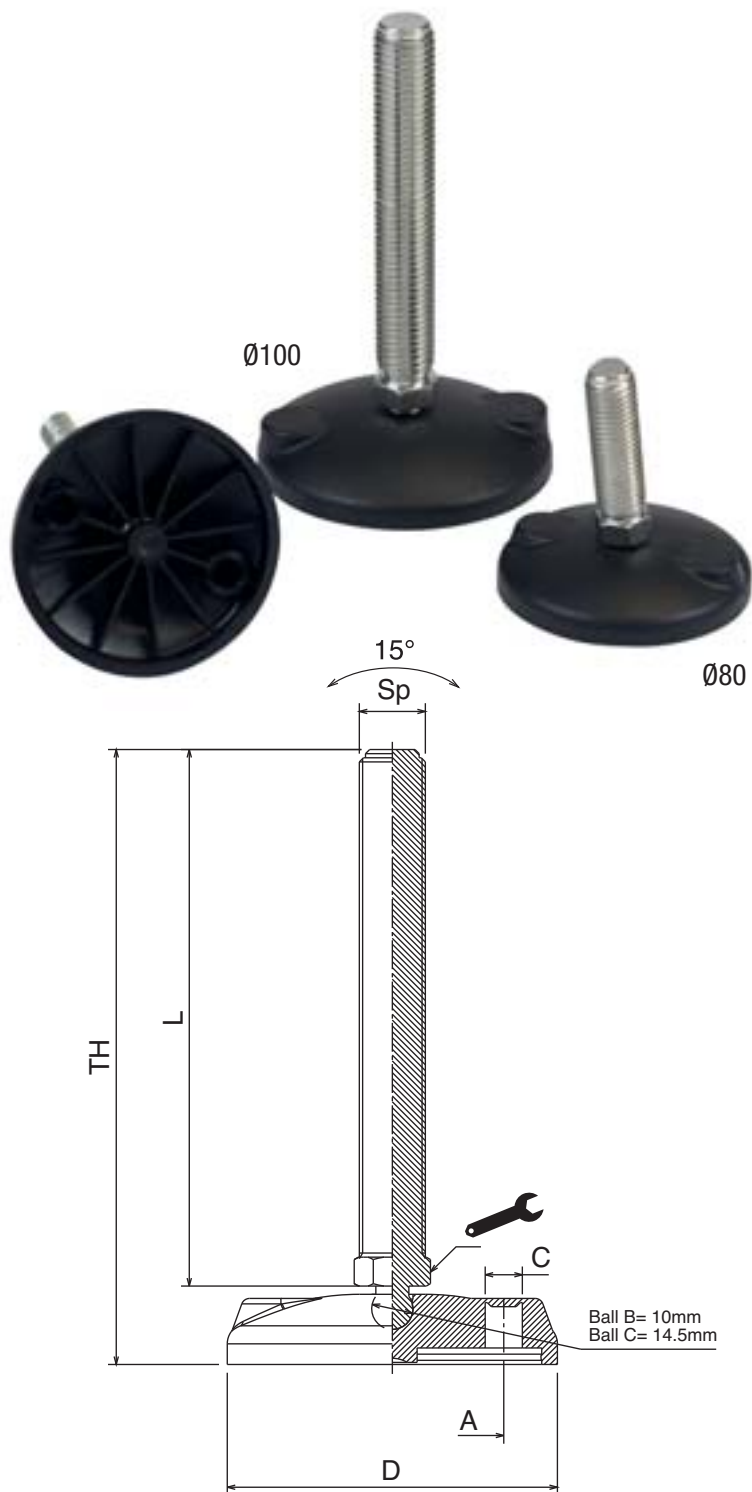


Piede diam. 60 mm / Leveller diam. 60 mm / Gelenkfuss Diam. 60 mm

Part	Sp		Sp	TH	L	Ball			N
	SS	FeZn					⚙️	🍬	
907	90701	90701Z	M12	80	60	B	9	-	12.000
907	90702	90702Z		105	85	B	9	-	
907	90703	90703Z		155	135	B	9	-	
908	90801	90801Z	M16	105	85	B	13	-	15.000
908	90802	90802Z		155	135	B	13	-	
908	90803	90803Z		205	185	B	13	-	
908	90801H	90801ZH		105	85	B	-	16	
908	90802H	90802ZH		155	135	B	-	16	
908	90803H	90803ZH		205	185	B	-	16	
909	90901	90901Z	M20	105	85	C	16	-	16.000
909	90902	90902Z		155	135	C	16	-	
909	90903	90903Z		205	185	C	16	-	
909	90901H	90901ZH		105	85	C	-	20	
909	90902H	90902ZH		155	135	C	-	20	
909	90903H	90903ZH		205	185	C	-	20	



Materiale:	Material:	Materialien:
Basi: Poliammide	Base plate: Polyamide	Fussplatte: Polyamid
Stelo: Acciaio inox o Ferro zincato	Spindle: Stainless steel or Zinc plated steel	Spindel: Edelstahl oder Stahl Verzinkt



ACCESSORI / ACCESSORIES / ZUBEHÖR

Gomma anti-scivolo / Anti-slip pad / Gummiplatte



Part	Article-Nr.	For base
996	99604	Ø80
996	99605	Ø100

Dadi acciaio inox / Stainless steel nuts / Mutter Edelstahl



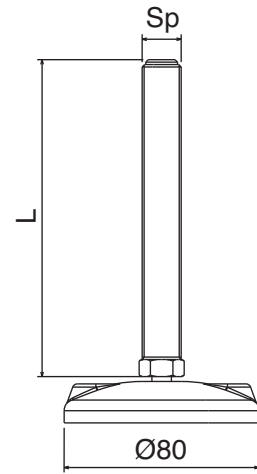
Part	Article-Nr.	Spindle
998	99802	M12
998	99804	M16
998	99805	M20

SS: Acciaio inox / Stainless steel / Edelstahl

FeZn: Ferro zincato / Zinc plated steel / Stahl Verzinkt

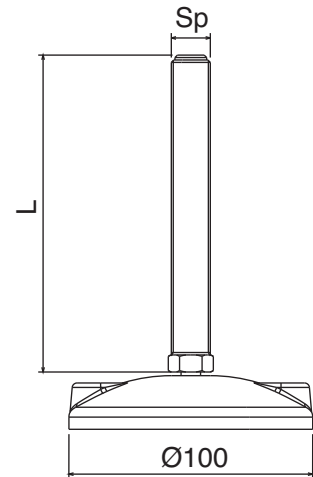
Piede diam. 80 mm / Leveller diam. 80 mm / Gelenkfuss Diam. 80 mm

Part	Sp		Sp	TH	L	Ball	C		N
	SS	FeZn					Wrench	Wrench	
953	95301	95301Z	M12	80	60	B	9	-	12.000
953	95302	95302Z		105	85	B	9	-	
953	95303	95303Z		155	135	B	9	-	
954	95401	95401Z	M16	105	85	B	13	-	15.000
954	95402	95402Z		155	135	B	13	-	
954	95403	95403Z		205	185	B	13	-	
954	95401H	95401ZH		105	85	B	-	16	
954	95402H	95402ZH		155	135	B	-	16	
954	95403H	95403ZH	205	185	B	-	16		
955	95501	95501Z	M20	105	85	C	16	-	18.000
955	95502	95502Z		155	135	C	16	-	
955	95503	95503Z		205	185	C	16	-	
955	95501H	95501ZH		105	85	C	-	20	
955	95502H	95502ZH		155	135	C	-	20	
955	95503H	95503ZH	205	185	C	-	20		



Piede diam. 100 mm / Leveller diam. 100 mm / Gelenkfuss Diam. 100 mm

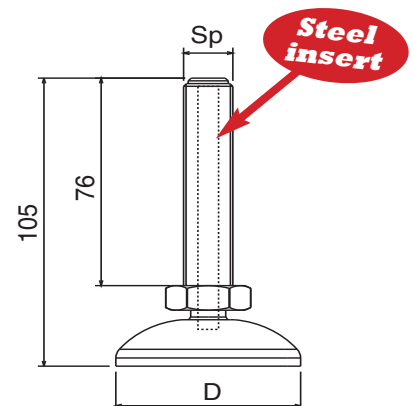
Part	Sp		Sp	TH	L	Ball	C		N
	SS	FeZn					Wrench	Wrench	
956	95601	95601Z	M16	108	85	B	13	-	15.000
956	95602	95602Z		158	135	B	13	-	
956	95603	95603Z		208	185	B	13	-	
956	95601H	95601ZH	M16	108	85	B	-	16	15.000
956	95602H	95602ZH		158	135	B	-	16	
956	95603H	95603ZH		208	185	B	-	16	
957	95701	95701Z	M20	108	85	C	16	-	18.000
957	95702	95702Z		158	135	C	16	-	
957	95703	95703Z		208	185	C	16	-	
957	95701H	95701ZH		108	85	C	-	20	
957	95702H	95702ZH		158	135	C	-	20	
957	95703H	95703ZH	208	185	C	-	20		



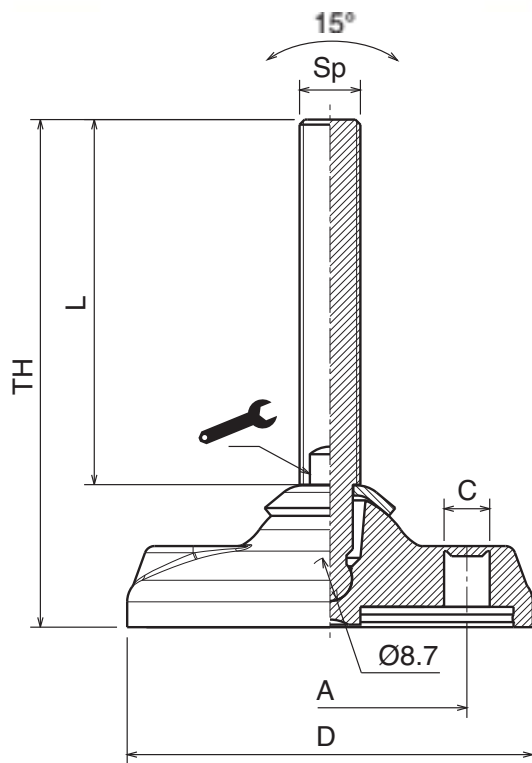
Piede diam. 60-80-100 mm / Leveller diam. 60-80-100 mm / Gelenkfuss Diam. 60-80-100 mm

Part	Art.-Nr.	Sp	D	Ball	Wrench	N
908	90810PH	M16	60	C	24	13.000
954	95410PH		80			
957	95710PH		100			

Base and spindle: Poliammide / Polyamide / Polyamid



Materiale:	Material:	Materialien:
Basi: Poliammide	Base plate: Polyamide	Fussplatte: Polyamid
Stelo: Acciaio inox o Ferro zincato	Spindle: Stainless steel or Zinc plated steel	Spindel: Edelstahl oder Stahl Verzinkt



ACCESSORI / ACCESSORIES / ZUBEHÖR

Gomma anti-scivolo / Anti-slip pad / Gummiplatte



Part	Article-Nr.	For base
996	99604	Ø80
996	99605	Ø100
996	99606	Ø120

Dadi acciaio inox / Stainless steel nuts / Mutter Edelstahl





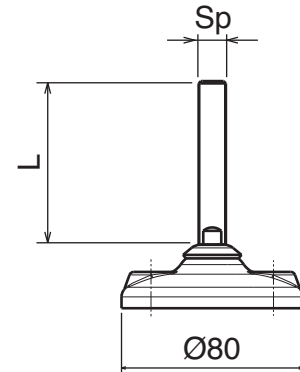
Part	Article-Nr.	Spindle
998	99802	M12
998	99804	M16
998	99805	M20
998	99806	M24

SS: Acciaio inox / Stainless steel / Edelstahl



FeZn: Ferro zincato / Zinc plated steel / Stahl Verzinkt

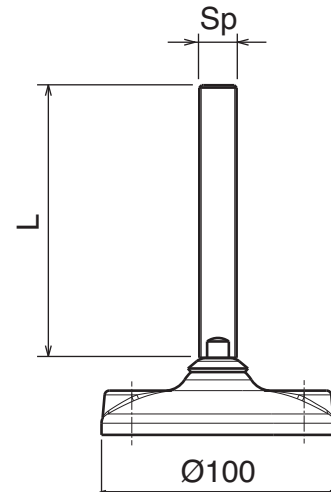
Piede diam. 80 mm / Leveller diam. 80 mm / Gelenkfuss Diam. 80 mm

Sp										
Part	SS	FeZn	Sp	TH	L	A	C			N
910	91001	91001Z	M12	100	72	54	9	9	-	12.000
910	91002	91002Z		150	122	54	9	9	-	
910	91003	91003Z		200	172	54	9	9	-	
911	91101	91101Z	M16	95	67	54	9	13	-	15.000
911	91102	91102Z		145	117	54	9	13	-	
911	91103	91103Z		195	167	54	9	13	-	
911	91101H	91101ZH		95	67	54	9	-	16	
911	91102H	91102ZH		145	117	54	9	-	16	
911	91103H	91103ZH	195	167	54	9	-	16		
912	91201	91201Z	M20	120	92	54	9	16	-	16.000
912	91202	91202Z		170	142	54	9	16	-	
912	91203	91203Z		220	192	54	9	16	-	
912	91201H	91201ZH		120	92	54	9	-	20	
912	91202H	91202ZH		170	142	54	9	-	20	
912	91203H	91203ZH		220	192	54	9	-	20	





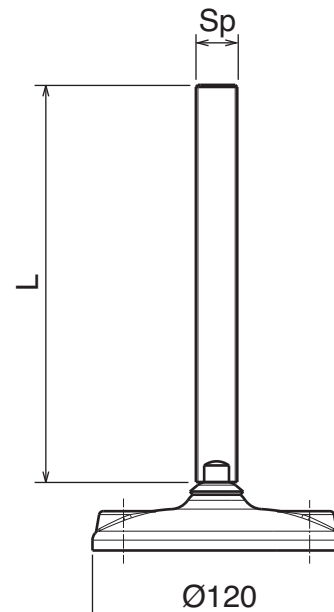
Piede diam. 100 mm / Leveller diam. 100 mm / Gelenkfuss Diam. 100 mm

Sp										
Part	SS	FeZn	Sp	TH	L	A	C			N
913	91301	91301Z	M16	100	67	74	13	13	-	15.000
913	91302	91302Z		150	117	74	13	13	-	
913	91303	91303Z		200	167	74	13	13	-	
913	91301H	91301ZH		100	67	74	13	-	16	
913	91302H	91302ZH		150	117	74	13	-	16	
913	91303H	91303ZH	200	167	74	13	-	16		
914	91401	91401Z	M20	125	92	74	13	16	-	16.000
914	91402	91402Z		175	142	74	13	16	-	
914	91403	91403Z		225	192	74	13	16	-	
914	91401H	91401ZH		125	92	74	13	-	20	
914	91402H	91402ZH		175	142	74	13	-	20	
914	91403H	91403ZH		225	192	74	13	-	20	
915	91501	91501Z	M24	125	92	74	13	19	-	18.000
915	91502	91502Z		175	142	74	13	19	-	
915	91503	91503Z		225	192	74	13	19	-	

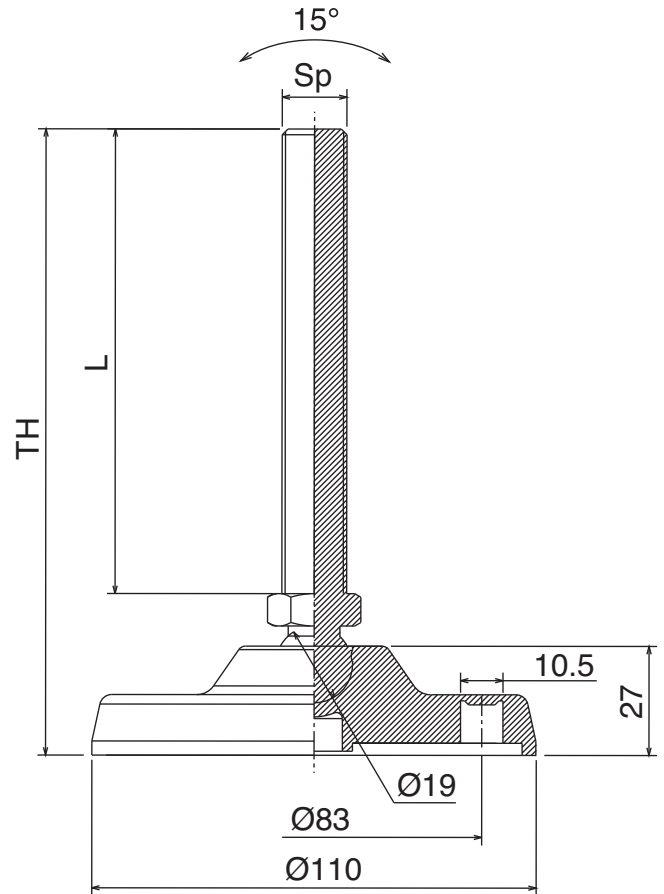


Piede diam. 120 mm / Leveller diam. 120 mm / Gelenkfuss Diam. 120 mm

Sp										
Part	SS	FeZn	Sp	TH	L	A	C			N
916	91601	91601Z	M16	100	67	90	13	13	-	15.000
916	91602	91602Z		150	117	90	13	13	-	
916	91603	91603Z		200	167	90	13	13	-	
916	91601H	91601ZH		100	67	90	13	-	16	
916	91602H	91602ZH		150	117	90	13	-	16	
916	91603H	91603ZH	200	167	90	13	-	16		
917	91701	91701Z	M20	125	92	90	13	16	-	16.000
917	91702	91702Z		175	142	90	13	16	-	
917	91703	91703Z		225	192	90	13	16	-	
917	91701H	91701ZH		125	92	90	13	-	20	
917	91702H	91702ZH		175	142	90	13	-	20	
917	91703H	91703ZH		225	192	90	13	-	20	
918	91801	91801Z	M24	125	92	90	13	19	-	18.000
918	91802	91802Z		175	142	90	13	19	-	
918	91803	91803Z		225	192	90	13	19	-	



Materiale:	Material:	Materialien:
Basi: Poliammide	Base plate: Polyamide	Fussplatte: Polyamid
Stelo: Acciaio inox o Ferro zincato	Spindle: Stainless steel or Zinc plated steel	Spindel: Edelstahl oder Stahl Verzinkt



ACCESSORI / ACCESSORIES / ZUBEHÖR

Gomma anti-scivolo / Anti-slip pad / Gummiplatte



Part	Article-Nr.	For base
996	99607	Ø110

Dadi acciaio inox / Stainless steel nuts / Mutter Edelstahl




Part	Article-Nr.	Spindle
998	99804	M16
998	99805	M20
998	99806	M24

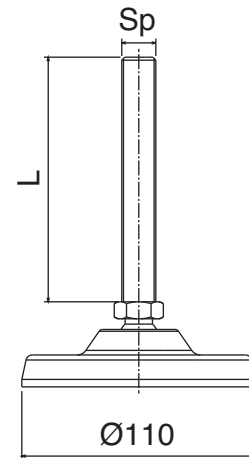
SS: Acciaio inox / Stainless steel / Edelstahl

FeZn: Ferro zincato / Zinc plated steel / Stahl Verzinkt


Piede diam. 110 mm / Leveller diam. 110 mm / Gelenkfuss Diam. 110 mm

WITHOUT ANTISLIP RUBBER

Sp							
Part	SS	FeZn	Sp	TH	L		N
943	94301H	94301ZH	M16	155	115	20	15.000
943	94302H	94302ZH		185	145	20	
943	94303H	94303ZH		235	195	20	
944	94401H	94401ZH	M20	155	115	20	15.000
944	94402H	94402ZH		185	145	20	
944	94403H	94403ZH		235	195	20	
945	94501H	94501ZH	M24	155	115	24	18.000
945	94502H	94502ZH		185	145	24	
945	94503H	94503ZH		235	195	24	




WITH ANTISLIP RUBBER

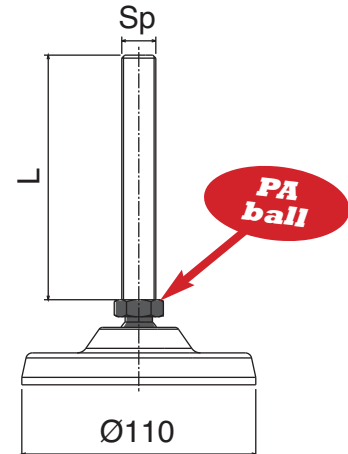
Sp							
Part	SS	FeZn	Sp	TH	L		N
943	94351H	94351ZH	M16	155	115	20	15.000
943	94352H	94352ZH		185	145	20	
943	94353H	94353ZH		235	195	20	
944	94451H	94451ZH	M20	155	115	20	15.000
944	94452H	94452ZH		185	145	20	
944	94453H	94453ZH		235	195	20	
945	94551H	94551ZH	M24	155	115	24	18.000
945	94552H	94552ZH		185	145	24	
945	94553H	94553ZH		235	195	24	




Piede diam. 110 mm / Leveller diam. 110 mm / Gelenkfuss Diam. 110 mm

WITHOUT ANTISLIP RUBBER

Sp							
Part	SS	FeZn	Sp	TH	L		N
946	94601H	94601ZH	M16	155	115	20	12.000
946	94602H	94602ZH		185	145	20	
946	94603H	94603ZH		235	195	20	
947	94701H	94701ZH	M20	155	115	20	12.000
947	94702H	94702ZH		185	145	20	
947	94703H	94703ZH		235	195	20	



WITH ANTISLIP RUBBER

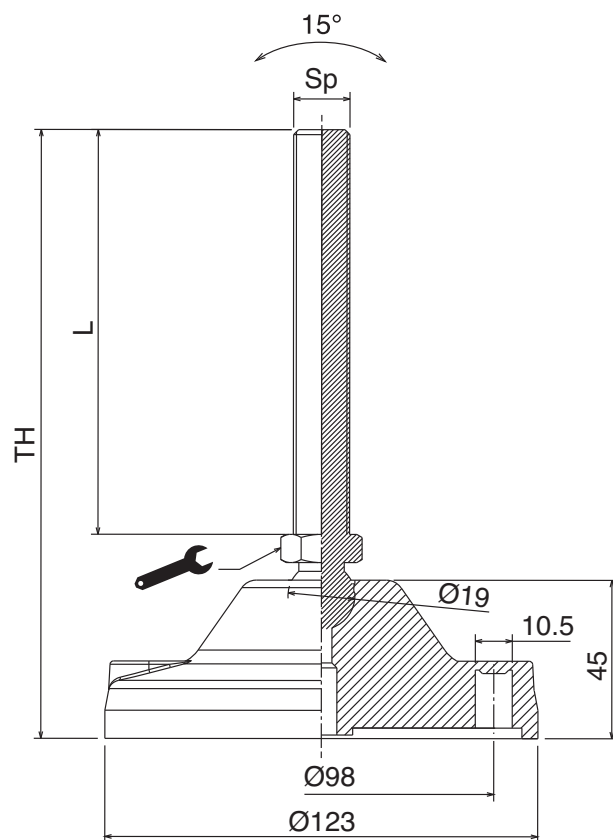
Sp							
Part	SS	FeZn	Sp	TH	L		N
946	94651H	94651ZH	M16	155	115	20	12.000
946	94652H	94652ZH		185	145	20	
946	94653H	94653ZH		235	195	20	
947	94751H	94751ZH	M20	155	115	20	12.000
947	94752H	94752ZH		185	145	20	
947	94753H	94753ZH		235	195	20	



Materiale:	Material:	Materialien:
Basi: Poliammide	Base plate: Polyamide	Fussplatte: Polyamid
Stelo: Acciaio inox o Ferro zincato	Spindle: Stainless steel or Zinc plated steel	Spindel: Edelstahl oder Stahl Verzinkt



Ø123



ACCESSORI / ACCESSORIES / ZUBEHÖR

Gomma anti-scivolo / Anti-slip pad / Gummiplatte



Part	Article-Nr.	For base
996	99608	Ø123

Dadi acciaio inox / Stainless steel nuts / Mutter Edelstahl




Part	Article-Nr.	Spindle
998	99804	M16
998	99805	M20
998	99806	M24

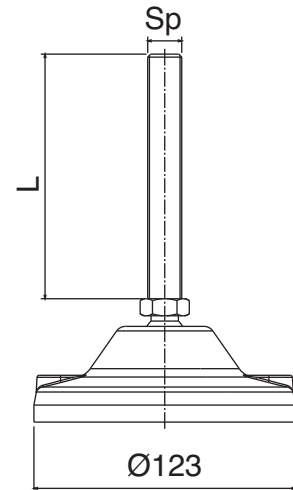
SS: Acciaio inox / Stainless steel / Edelstahl

FeZn: Ferro zincato / Zinc plated steel / Stahl Verzinkt


Piede diam. 123 mm / Leveller diam. 123 mm / Gelenkfuss Diam. 123 mm

WITHOUT ANTISLIP RUBBER

Sp							
Part	SS	FeZn	Sp	TH	L		N
948	94801H	94801ZH	M16	175	115	20	25.000
948	94802H	94802ZH		205	145	20	
948	94803H	94803ZH		255	195	20	
949	94901H	94901ZH	M20	175	115	20	
949	94902H	94902ZH		205	145	20	
949	94903H	94903ZH		255	195	20	
950	95001H	95001ZH	M24	175	115	24	
950	95002H	95002ZH		205	145	24	
950	95003H	95003ZH		255	195	24	




WITH ANTISLIP RUBBER

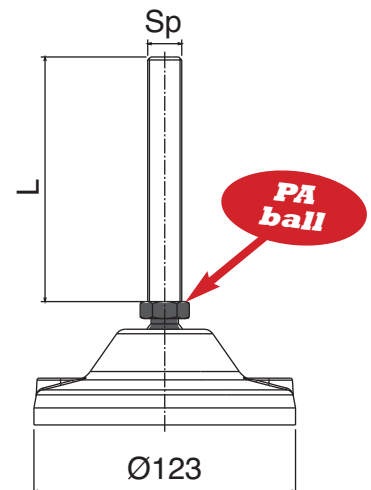
Sp							
Part	SS	FeZn	Sp	TH	L		N
948	94851H	94851ZH	M16	175	115	20	25.000
948	94852H	94852ZH		205	145	20	
948	94853H	94853ZH		255	195	20	
949	94951H	94951ZH	M20	175	115	20	
949	94952H	94952ZH		205	145	20	
949	94953H	94953ZH		255	195	20	
950	95051H	95051ZH	M24	175	115	24	
950	95052H	95052ZH		205	145	24	
950	95053H	95053ZH		255	195	24	




Piede diam. 123 mm / Leveller diam. 123 mm / Gelenkfuss Diam. 123 mm

WITHOUT ANTISLIP RUBBER

Sp							
Part	SS	FeZn	Sp	TH	L		N
951	95101H	95101ZH	M16	175	115	20	20.000
951	95102H	95102ZH		205	145	20	
951	95103H	95103ZH		255	195	20	
952	95201H	95201ZH	M20	175	115	20	
952	95202H	95202ZH		205	145	20	
952	95203H	95203ZH		255	195	20	



WITH ANTISLIP RUBBER

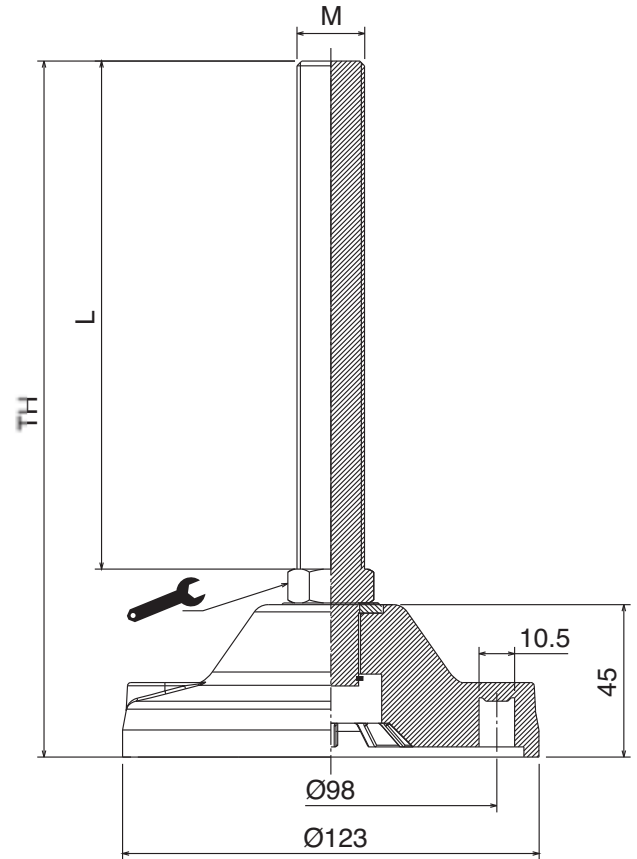
Sp							
Part	SS	FeZn	Sp	TH	L		N
951	95151H	95151ZH	M16	175	115	20	20.000
951	95152H	95152ZH		205	145	20	
951	95153H	95153ZH		255	195	20	
952	95251H	95251ZH	M20	175	115	20	
952	95252H	95252ZH		205	145	20	
952	95253H	95253ZH		255	195	20	



Materiale:	Material:	Materialien:
Basi: Poliammide	Base plate: Polyamide	Fussplatte: Polyamid
Stelo: Acciaio inox o Ferro zincato	Spindle: Stainless steel or Zinc plated steel	Spindel: Edelstahl oder Stahl Verzinkt



Ø123



ACCESSORI / ACCESSORIES / ZUBEHÖR

Gomma anti-scivolo / Anti-slip pad / Gummiplatte



Part	Article-Nr.	For base
996	99608	Ø123

Dadi acciaio inox / Stainless steel nuts / Mutter Edelstahl




Part	Article-Nr.	Spindle
998	99804	M16
998	99805	M20
998	99806	M24

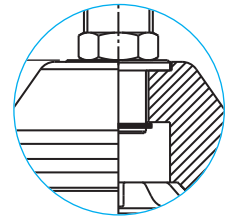
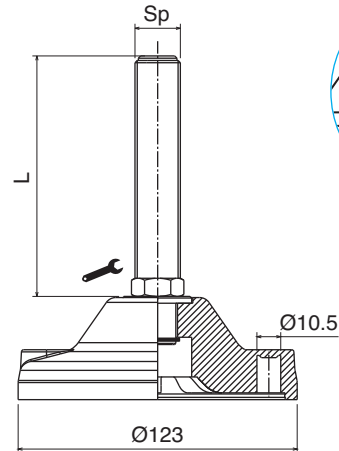
SS: Acciaio inox / Stainless steel / Edelstahl

FeZn: Ferro zincato / Zinc plated steel / Stahl Verzinkt


Piede diam. 123 mm / Leveller diam. 123 mm / Gelenkfuss Diam. 123 mm

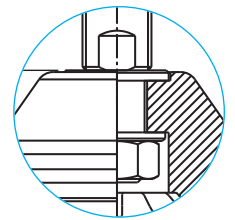
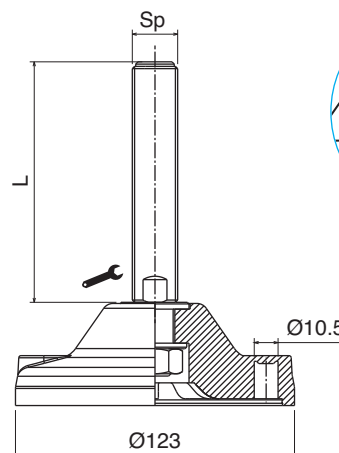
WITHOUT ANTISLIP RUBBER

Sp							
Part	SS	FeZn	Sp	TH	L		N
958	95801H	95801ZH	M20	150	98	20	30.000
958	95802H	95802ZH		200	148	20	
958	95803H	95803ZH		250	198	20	
959	95901H	95901ZH	M24	150	98	24	
959	95902H	95902ZH		200	148	24	
959	95903H	95903ZH		250	198	24	




WITH ANTISLIP RUBBER

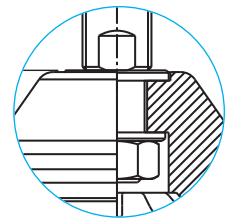
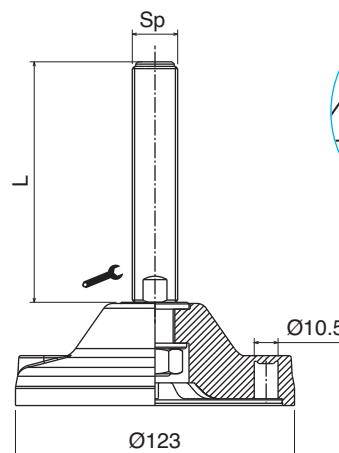
Sp							
Part	SS	FeZn	Sp	TH	L		N
958	95851H	95851ZH	M20	150	98	20	30.000
958	95852H	95852ZH		200	148	20	
958	95853H	95853ZH		250	198	20	
959	95951H	95951ZH	M24	150	98	24	
959	95952H	95952ZH		200	148	24	
959	95953H	95953ZH		250	198	24	




Piede diam. 123 mm / Leveller dia 123 mm - Muscle fixing / Gelenkfuss Diam. 123 mm

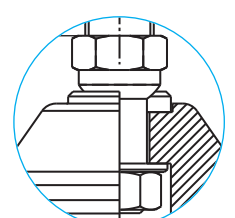
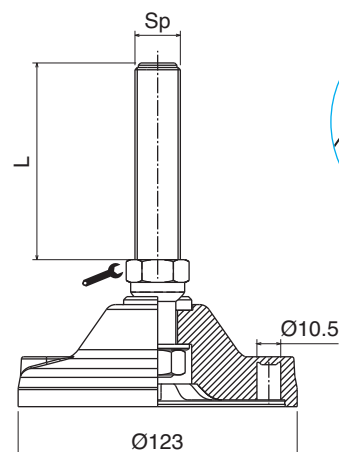
WITHOUT ANTISLIP RUBBER

Sp							
Part	SS	FeZn	Sp	TH	L		N
931	93102	93102Z	M20	200	148	16	30.000
931	93103	93103Z		250	198	16	
932	93202	93202Z	M24	200	148	19	
932	93203	93203Z		250	198	19	
933	93302	93302Z	M30	200	148	24	
933	93303	93303Z		250	198	24	




WITH ANTISLIP RUBBER

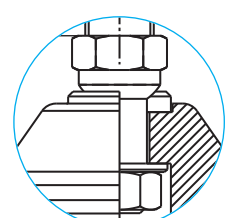
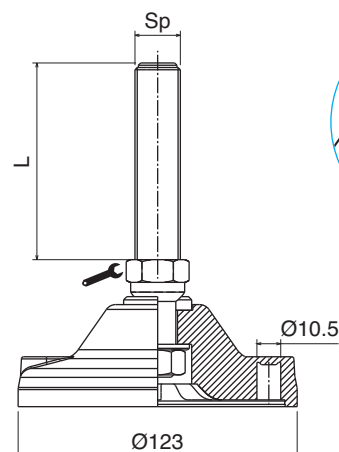
Sp							
Part	SS	FeZn	Sp	TH	L		N
931	93152	93152Z	M20	200	148	16	30.000
931	93153	93153Z		250	198	16	
932	93252	93252Z	M24	200	148	19	
932	93253	93253Z		250	198	19	
933	93352	93352Z	M30	200	148	24	
933	93353	93353Z		250	198	24	




Piede diam. 123 mm / Leveller dia 123 mm - Muscle fixing / Gelenkfuss Diam. 123 mm

WITHOUT ANTISLIP RUBBER

Sp							
Part	SS	FeZn	Sp	TH	L		N
981	98102H	98102ZH	M20	200	148	16	30.000
981	98103H	98103ZH		250	198	16	
982	98202H	98202ZH	M24	200	148	19	
982	98203H	98203ZH		250	198	19	
983	98302H	98302ZH	M30	200	148	24	
983	98303H	98303ZH		250	198	24	

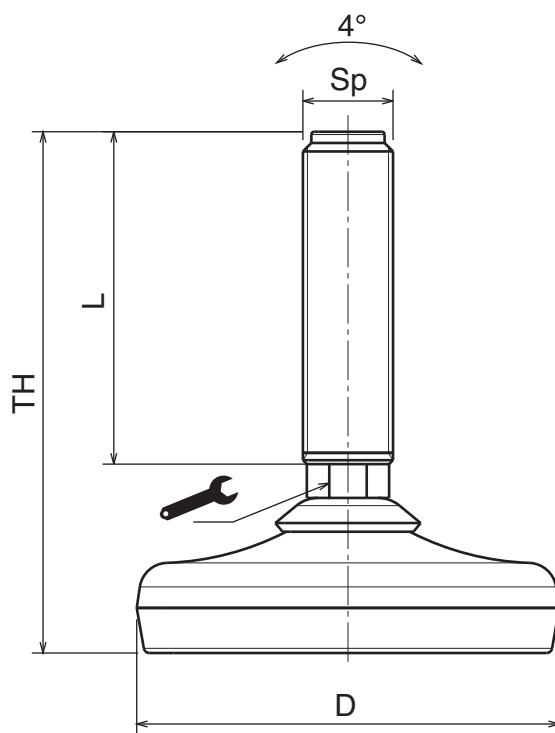


WITH ANTISLIP RUBBER

Sp							
Part	SS	FeZn	Sp	TH	L		N
981	98152H	98152ZH	M20	200	148	16	30.000
981	98153H	98153ZH		250	198	16	
982	98252H	98252ZH	M24	200	148	19	
982	98253H	98253ZH		250	198	19	
983	98352H	98352ZH	M30	200	148	24	
983	98353H	98353ZH		250	198	24	



Materiale:	Material:	Materialien:
Basi, stelo e rondella: Acciaio inox	Base plate, spindle and washer: Stainless steel	Fussplatte, Spindel und Scheibe: Edelstahl





ACCESSORI / ACCESSORIES / ZUBEHÖR

Dadi acciaio inox / Stainless steel nuts / Mutter Edelstahl





Part	Article-Nr.	Spindle
998	99802	M12
998	99804	M16
998	99805	M20
998	99806	M24
998	99807	M30



Piede diam. 50 mm / Leveller diam. 50 mm / Stellfuss Diam. 50 mm

Part	Article-Nr.	SP	TH	L		
919	91901		75	50	9	
919	91902	M12	100	75	9	
919	91903		150	125	9	
920	92001		90	65	13	
920	92002	M16	140	115	13	3.000
920	92003		190	165	13	
921	92101		90	65	16	
921	92102	M20	115	90	16	
921	92103		165	140	16	



Piede diam. 75 mm / Leveller diam. 75 mm / Stellfuss Diam. 75 mm

Part	Article-Nr.	SP	TH	L		
922	92201		80	50	9	
922	92202	M12	105	75	9	
922	92203		155	125	9	
923	92301		95	65	13	
923	92302	M16	145	115	13	8.000
923	92303		195	165	13	
924	92401		95	65	16	
924	92402	M20	120	90	16	
924	92403		170	140	16	



Piede diam. 125 mm / Leveller diam. 125 mm / Stellfuss Diam. 125 mm

Part	Article-Nr.	SP	TH	L		
928	92801		130	90	16	
928	92802	M20	180	140	16	
928	92803		230	190	16	
929	92901		130	90	19	
929	92902	M24	180	140	19	30.000
929	92903		230	190	19	
930	93001		155	115	24	
930	93002	M30	205	165	24	
930	93003		255	215	24	



Piede diam. 180 mm / Leveller diam. 180 mm / Stellfuss Diam. 180 mm

Part	Article-Nr.	SP	TH	L		
978	97801		125	90	16	
978	97802	M20	175	140	16	
978	97803		225	190	16	
979	97902		125	90	19	
979	97903	M24	175	140	19	3.800
979	97904		225	190	19	
980	98003		225	190	24	
980	98004	M30	285	250	24	
980	98005		335	300	24	



Piede diam. 65 mm / Leveller diam. 65 mm / Stellfuss Diam. 65 mm

Part	Article-Nr.	SP	TH	L		
972	97201		85	50	9	
972	97202	M12	110	75	9	
972	97203		160	125	9	
973	97301		100	65	13	
973	97302	M16	150	115	13	5.000
973	97303		200	165	13	
974	97401		100	65	16	
974	97402	M20	125	90	16	
974	97403		175	140	16	

Piede diam. 100 mm / Leveller diam. 100 mm / Stellfuss Diam. 100 mm

Part	Article-Nr.	SP	TH	L		
925	92501		100	65	13	
925	92502	M16	150	115	13	
925	92503		200	165	13	
926	92601		125	90	16	
926	92602	M20	175	140	16	20.000
926	92603		225	190	16	
927	92701		125	90	19	
927	92702	M24	175	140	19	
927	92703		225	190	19	

Piede diam. 150 mm / Leveller diam. 150 mm / Stellfuss Diam. 150 mm

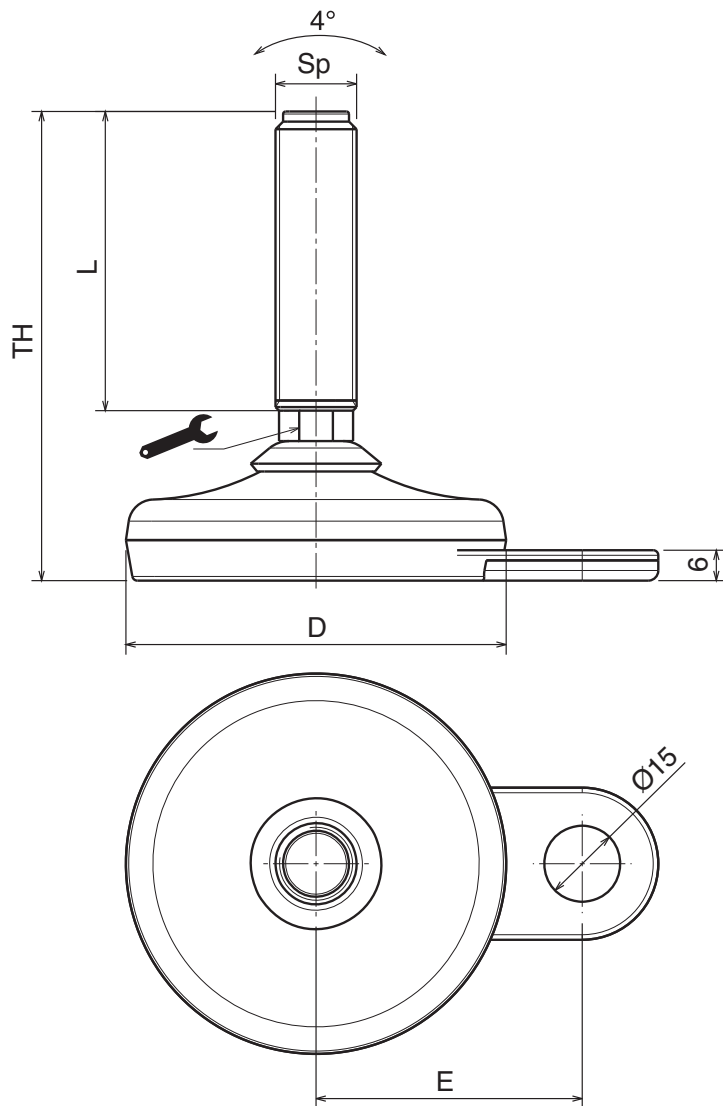
Part	Article-Nr.	SP	TH	L		
975	97501		125	90	16	
975	97502	M20	175	140	16	
975	97503		225	190	16	
976	97601		175	140	19	
976	97602	M24	225	190	19	35.000
976	97603		285	250	19	
977	97702		175	140	24	
977	97703	M30	225	190	24	
977	97704		285	250	24	

934-939





EASY CLEAN

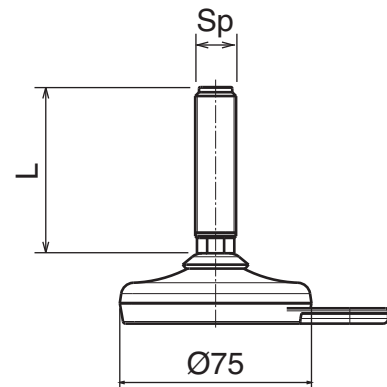
Piede con Foro Fissaggio
Leveller with Fixing Hole
Stellfuss mit Befestigungsbohrung

Materiale:	Material:	Materialien:
Basi, stelo e rondella: Acciaio inox	Base plate, spindle and washer: Stainless steel	Fussplatte, Spindel und Scheibe: Edelstahl







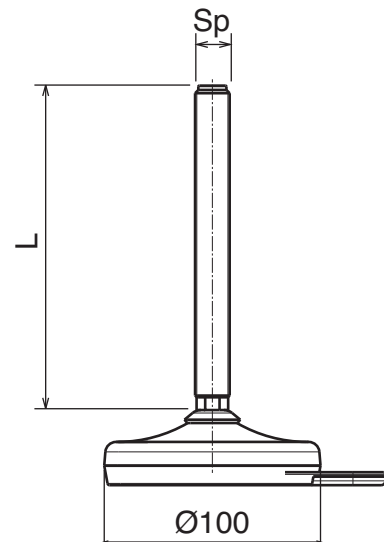
Piede diam. 75 mm con fori fissaggio / Leveller diam. 75 mm with fixing holes
 Stellfuss diam. 75 mm mit Befestigungsbohrung

Part	Art.-Nr.	Sp	E	TH	L			N	
934	93401	M12	52,5	80	50	9			
934	93402		52,5	105	75	9			
934	93403		52,5	155	125	9			
935	93501	M16	52,5	95	65	13			
935	93502		52,5	145	115	13			
935	93503		52,5	195	165	13			
936	93601	M20	52,5	95	65	16			8.000
936	93602		52,5	120	90	16			
936	93603		52,5	170	140	16			



Piede diam. 100 mm con fori fissaggio / Leveller diam. 100 mm with fixing holes
 Stellfuss diam. 100 mm mit Befestigungsbohrung

Part	Art.-Nr.	Sp	E	TH	L			N	
937	93701	M16	65	100	65	13			
937	93702		65	150	115	13			
937	93703		65	200	165	13			
938	93801	M20	65	125	90	16			
938	93802		65	175	140	16			
938	93803		65	225	190	16			
939	93901	M24	65	125	90	19			20.000
939	93902		65	175	140	19			
939	93903		65	225	190	19			



ACCESSORI / ACCESSORIES / ZUBEHÖR

Dadi acciaio inox / Stainless steel nuts / Mutter Edelstahl

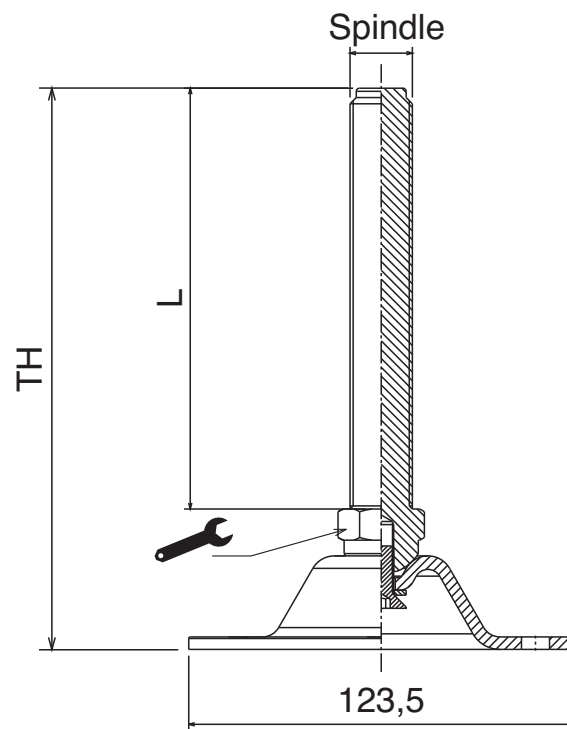


Part	Article-Nr.	Spindle
998	99802	M12
998	99804	M16
998	99805	M20
998	99806	M24

Materiale:	Material:	Materialien:
Acciaio inox o Ferro zincato	Stainless steel or Zinc plated steel	Edelstahl oder Stahl Verzinkt



Ø123



ACCESSORI / ACCESSORIES / ZUBEHÖR

Dadi acciaio inox / Stainless steel nuts / Mutter Edelstahl



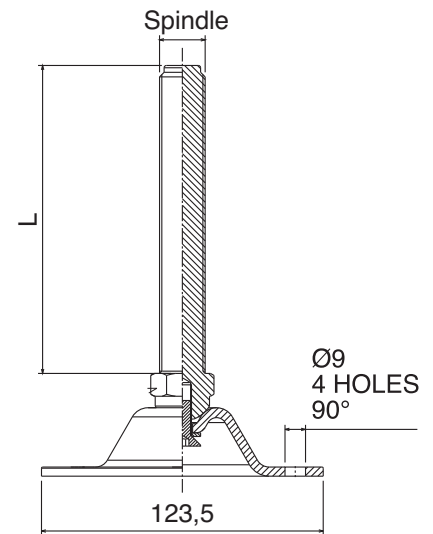
Part	Article-Nr.	Spindle
998	99804	M16
998	99805	M20
998	99806	M24
998	99807	M30

SS: Acciaio inox / Stainless steel / Edelstahl

FeZn: Ferro zincato / Zinc plated steel / Stahl Verzinkt

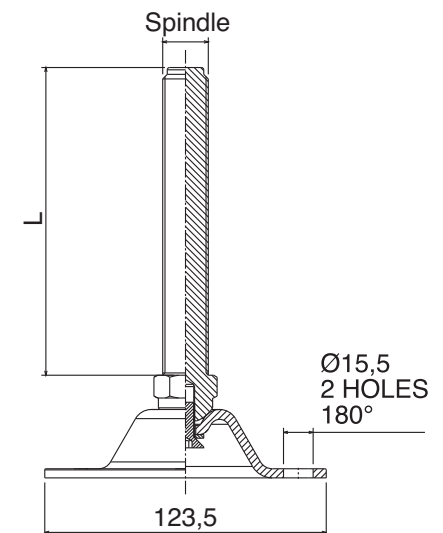
Piede diam. 123 mm con 4 fori 90° / Leveller diam. 123 mm with 4 holes 90°
Stellfuss diam. 123 mm mit 4 Befestigungsbohrung 90°

Part	Sp		Sp	TH	L	N	Wrench	Nut
	SS	FeZn						
960	P96001H	P96001ZH	M16	155	115	20	10.000	
960	P96002H	P96002ZH		175	135	20		
961	P96101H	P96101ZH	M20	155	115	24		
961	P96102H	P96102ZH		175	135	24		
962	P96201H	P96201ZH	M24	170	125	24		
962	P96202H	P96202ZH		230	185	24		
963	P96301H	P96301ZH	M30	170	125	30		
963	P96302H	P96302ZH		230	185	30		



Piede diam. 123 mm con 2 fori 180° / Leveller diam. 123 mm with 2 holes 180°
Stellfuss diam. 123 mm mit 2 Befestigungsbohrung 180°

Part	Sp		Sp	TH	L	N	Wrench	Nut
	SS	FeZn						
964	P96401H	P96401ZH	M16	155	115	20	10.000	
964	P96402H	P96402ZH		175	135	20		
965	P96501H	P96501ZH	M20	155	115	24		
965	P96502H	P96502ZH		175	135	24		
966	P96601H	P96601ZH	M24	170	125	24		
966	P96602H	P96602ZH		230	185	24		
967	P96701H	P96701ZH	M30	170	125	30		
967	P96702H	P96702ZH		230	185	30		



Piede diam. 123 mm senza fori / Leveller diam. 123 mm without holes
Stellfuss diam. 123 mm ohne Befestigungsbohrung

Part	Sp		Sp	TH	L	N	Wrench	Nut
	SS	FeZn						
968	P96801H	P96801ZH	M16	155	115	20	10.000	
968	P96802H	P96802ZH		175	135	20		
969	P96901H	P96901ZH	M20	155	115	24		
969	P96902H	P96902ZH		175	135	24		
970	P97001H	P97001ZH	M24	170	125	24		
970	P97002H	P97002ZH		230	185	24		
971	P97101H	P97101ZH	M30	170	125	30		
971	P97102H	P97102ZH		230	185	30		

